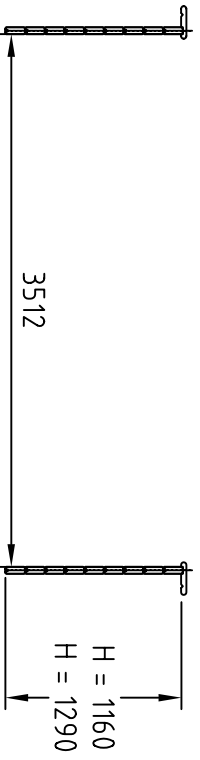
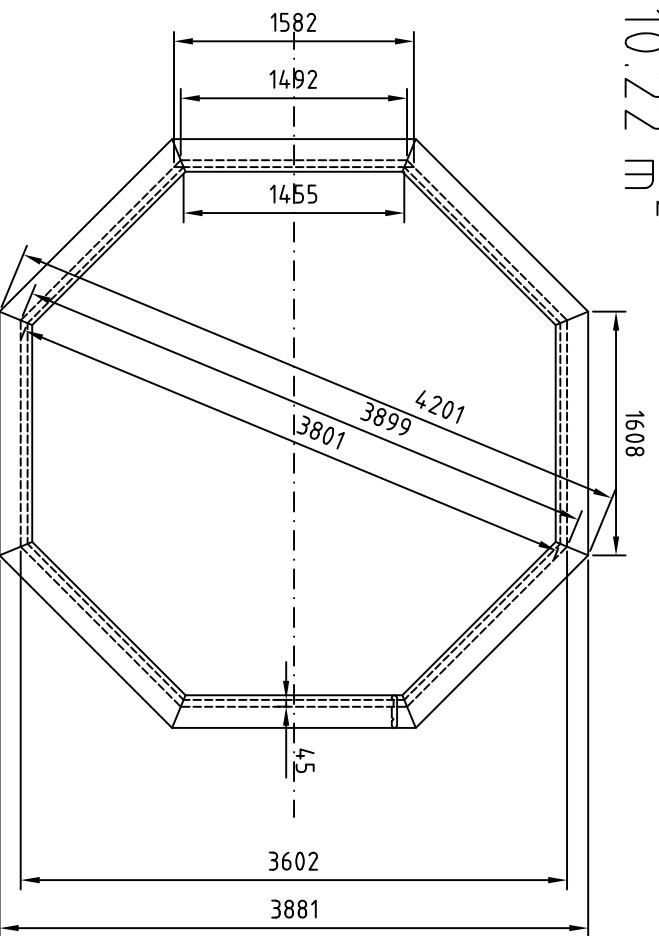


OCT00 420

10.22 m²



Echelle 1/50