



# INSTRUCTION MANUAL



## UnRoll 500

Submerged slatted cover



**Walter Pool**  
2 rue de l'industrie - 67490 DETTWILLER  
Tel. +33 3 90 29 51 00  
[info@walter-pool.com](mailto:info@walter-pool.com)

Member of **T&A** Group



# Table of contents

Standards	4
Foreword	4
Required tools	4
UnRoll 500 variants	4
Acceptance of the automatic safety cover	5
Package content	5
Pit width	5
<b>STEP 1 – Flanges and shaft installation</b>	<b>7</b>
1.1 Case 1 – Flange with wall mounting	8
1.2 Case 2 - Flange with under-coping mounting	9
1.3 Installation of the winding shaft	10
<b>STEP 2 - Installation of the beam and/or partition wall</b>	<b>12</b>
2.1 Case 1 - Fixing the beam support to the wall	12
2.2 Case 2 – Fixing the beam support under the coping	12
2.3 Case 3 - Fixing the partition wall and beam support under the coping	13
<b>STEP 3 - Installation of the slatted cover</b>	<b>15</b>
3.1 Slats orientation	15
3.2 Fixing the slats to the shaft	15
3.3 Slats assembly	15
3.4 Slats number	16
3.5 Special cases	18
3.6 Unclip a slat	18
3.7 Cover diagram	19
3.8 Interchangeables wings	20
3.9 Installation of the Beam and counterweights	20
<b>STEP – Motorisation</b>	<b>21</b>
4.1 Installation of th electrical box	21
4.2 Motor Connection type 1	21
4.3 Electrolyzer or pump (Optional)	23
4.4 Remonte control module connection (Optional)	23
4.4.1 Pairing of the remote switch	24
4.5 Bluetooth control	24
4.6 End-of-travel programming	25
4.7 Connection of motor type 2	26
4.8 Electrolyzer or pompe (Optional)	26
4.9 Remote control module connection (Optional)	27
4.9.1 Pairing of the remote switch	27
4.10 Bluetooth control	28
4.11 Forced mode	28
4.12 End-of-travel programming	28

4.13	Automatic mode usage	29
4.14	Speed ramp programming	29
4.15	Anti-tear	29
<b>STEP 5 – Setting up the safety loops</b>		<b>30</b>
5.1	Generalities	30
5.2	Locking	30
5.2.1	Traditional locking	30
5.2.2	Stainless steel lock under coping (optional)	31
5.3	Number and position of safety hooks	31
<b>STEP 6 – Grating Installation</b>		<b>32</b>
6.1	Wooden Grating	32
6.2	Aluminium grating	33
<b>STEP 7 – Service and Troubleshooting</b>		<b>33</b>
7.1	Assistance for Type 2 Control Box	33
7.2	Error Code table	33
7.3	Complete reset of the electronic board.	35
<b>User manual</b>		<b>36</b>
	Grating	36
	Water level	36
	Open the pool	36
	Close the pool	36
	Use the remote switch (Option)	37
	Child safety	37
	Open the pool	37
	Close the pool	37
	Use the Bluetooth (Option)	38
	Pairing a new phone	38
	Using the Bluetooth App	39
	Maintenance of the cover	39
	Impact of water quality on materials.	39
	Influence of water quality on plastic parts, especially the slats:	40
	Winterization	41
	Maintenance	41
	Safety	41
	Warranty conditions	42
	Warranty duration	43
	Warranty exclusions	43
	Cover information	43
	Troubleshooting	44

# Standards

To clarify :

- That the owner or user is responsible for the use and safety of their swimming pool.
- That the owner or user must be vigilant, cautious and aware of the risks.
- Never leave a child unattended.
- Follow the instructions in this technical installation documentation.
- Make absolutely sure that the cover is closed and locked after any use of the pool.
- That the installer must comply with the technical installation documentation.
- That the pool must never have a side opening of more than 70 mm.
- That the straps (anti-lift buckles) on the widths of the cover must be securely fastened to prevent a child getting underneath.
- That the cover complies with standard NFP 90-308.
- That the key must be held in place when closing the cover and, above all, must be removed when the cover is closed.

**READ CAREFULLY AND KEEP FOR FUTURE REFERENCE**

## Foreword

Cover designed for concrete pools, cellular concrete, and solid or hollow masonry. For polyester shells or panel pools, a concrete belt must be provided for securing the plates and attachment kits.



2 people required for assembly



Duration of the assembly : 4hours

### Required tools



Tape



Percussion drill



Flat spanner set



Pencil



Spirit level



Allen key set



Mallet



Cutter



Strap



Screwdriver



Electric screwdriver



Masonry drill Ø8/10

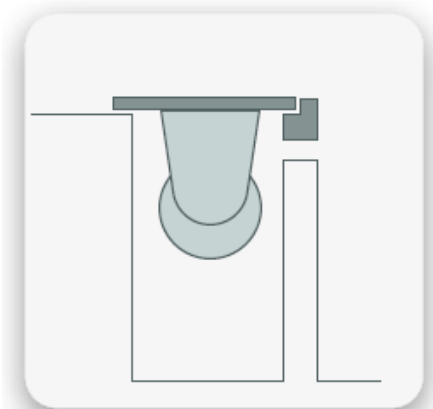


Ratchet wrench

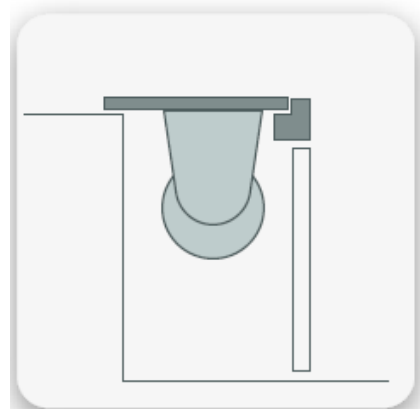


Socket set

### UnRoll 500 variants



Masonry partition wall



Partition wall

## Acceptance of the automatic safety cover

The WALTER company cannot be held responsible for any loss or damage to equipment transported by the carrier.

It is specified that the goods travel at the recipient's risk.

In the case of missing or defective parts, it is important:

- Note any reservations and observations on the transport note.
- Send a registered letter with acknowledgement of receipt to the person responsible for transport within 2 days of delivery, giving precise details of the problems found.
- Send a copy of this letter to WALTER POOL for information purposes.
- The quality of the original packaging must be checked in the presence of the delivery person.
- The contents of the crate must be checked on delivery. Il est précisé que la marchandise voyage aux risques et périls du destinataire.

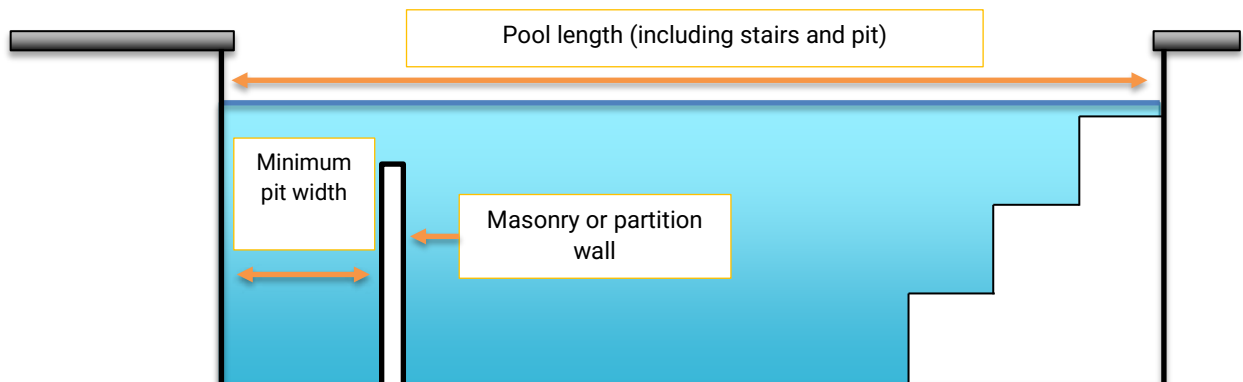
## Package content

Mecanism	Slats cover	Beam	Partition wall	Cladding
2x Flanges	3x safety straps	1x Beam	2x Slides	Grating
1x Roller shaft with motor	3x Bracket for coping fixation (optional)	2x Bracket	2 reinforcement arms (if wall height > 80 cm)	
1x Screw bag	3x Shaft/roller connection straps	2x Bracket support *	Partition boards	
1x Installation manual	Slats		2x Top slider end cap	
1x Electrical box			2x Bottom slider end caps	
1x Key switch			1x Top slider end cap	
2x Keys				

\* Only for the 'under-coping fixation' version

## Pit width

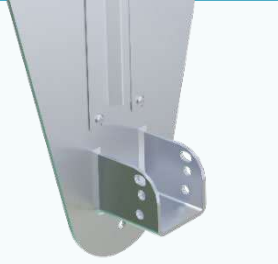
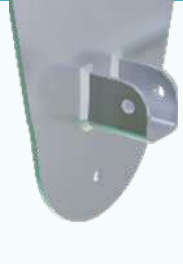
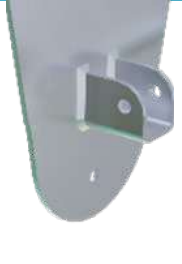
Pool length	Winding diameter with slats	Recommended minimum pit width
5 m	39 cm	59 cm
6 m	41 cm	61 cm
7 m	43 cm	63 cm
8 m	45 cm	65 cm
9 m	47 cm	67 cm
10 m	49 cm	69 cm
11 m	51 cm	71 cm
12 m	53 cm	73 cm
13 m	55 cm	75 cm



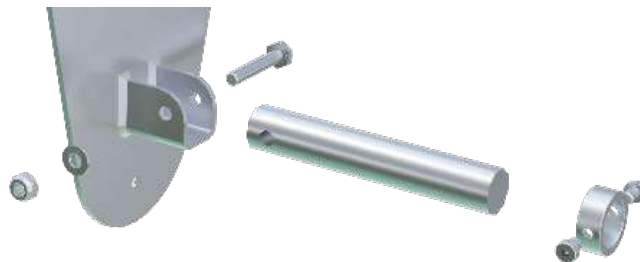
## STEP 1 – Flanges and shaft installation



Depending on the motorization, you will have in the package:

Case 1 :		Case 2 :
		
Motor side, wide flange	Opposite side of the motor, narrow flange	Motor side and opposite side, identical flange, only the cable protection trough indicates the motor side

On the flange on the side opposite the motor, secure the shaft with the screw and the locknut, and insert the bushing onto the shaft.

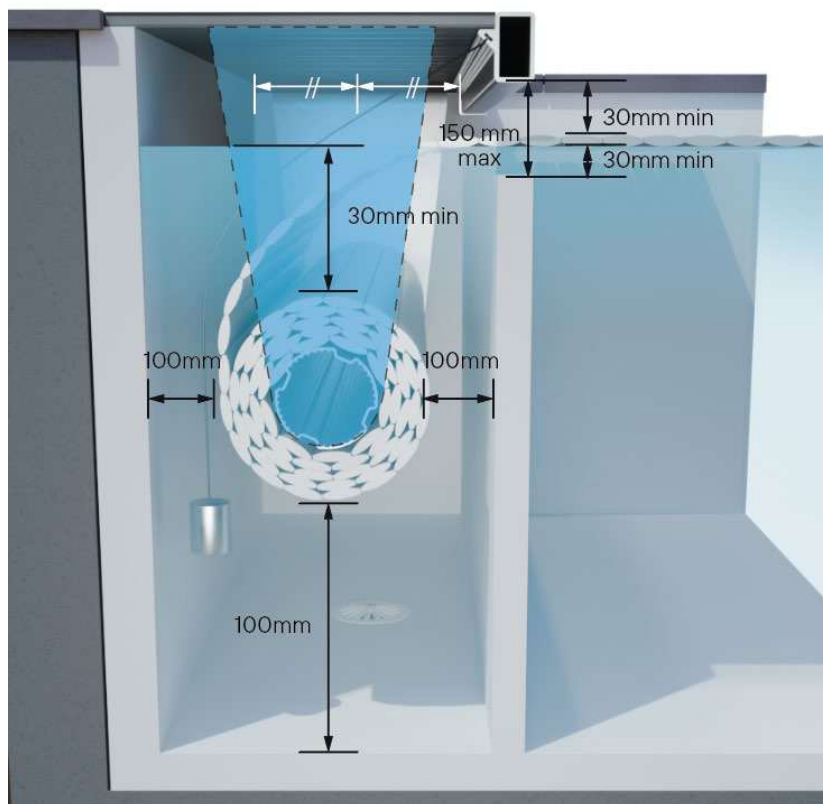


If you have a partition wall with a height greater than 80 cm, pre-install the reinforcement arms on the flanges (motor side and opposite side).



## 1.1 Case 1 – Flange with wall mounting

Center the flanges in the pit. Both flanges **must be level with each other** while respecting the minimum distances described in the diagram below.



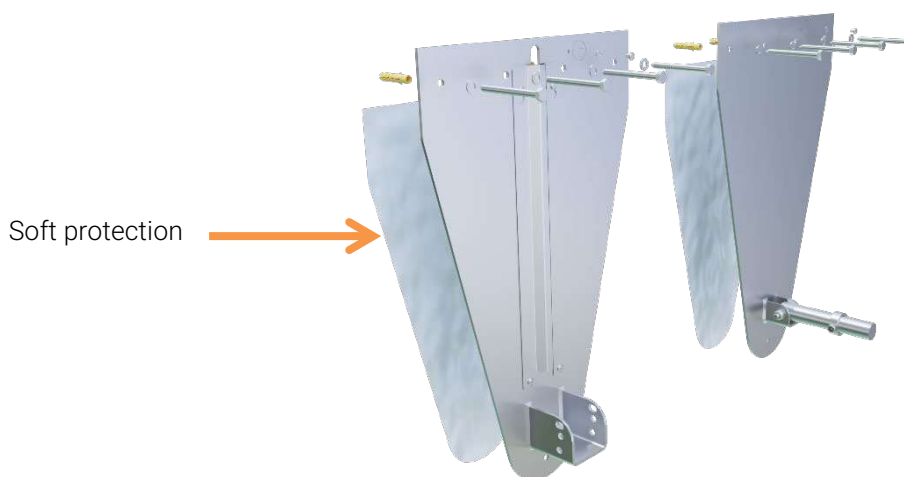
**The drill holes must be made above the water level.**

The flanges must be installed so that the winding shaft is perfectly perpendicular to the pool wall and level. Also, ensure that the flange is flush against the pool edge without leaving any gaps.

Drill the 4 holes using a  $\varnothing 10\text{mm}$  drill bit suitable for the material.

Insert the anchors and secure the supports using hex head screws and washers.

Don't forget to place the soft protection between the flange and the pool wall.





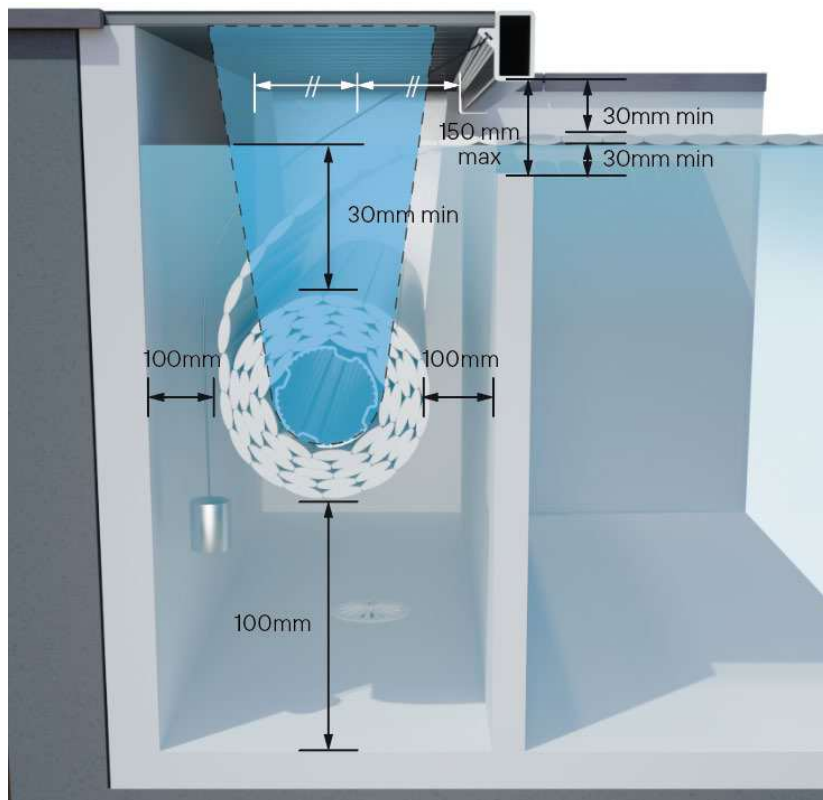
For the motor side, place the two small washers for the central screws.

## 1.2 Case 2 - Flange with under-coping mounting

Center the flanges in the pit while respecting the minimum distances described in the diagram below. Both flanges must be level with each other. Also, ensure that the flange is flush against the pool edge without leaving any gaps. If necessary, use washers to adjust the angle or height.

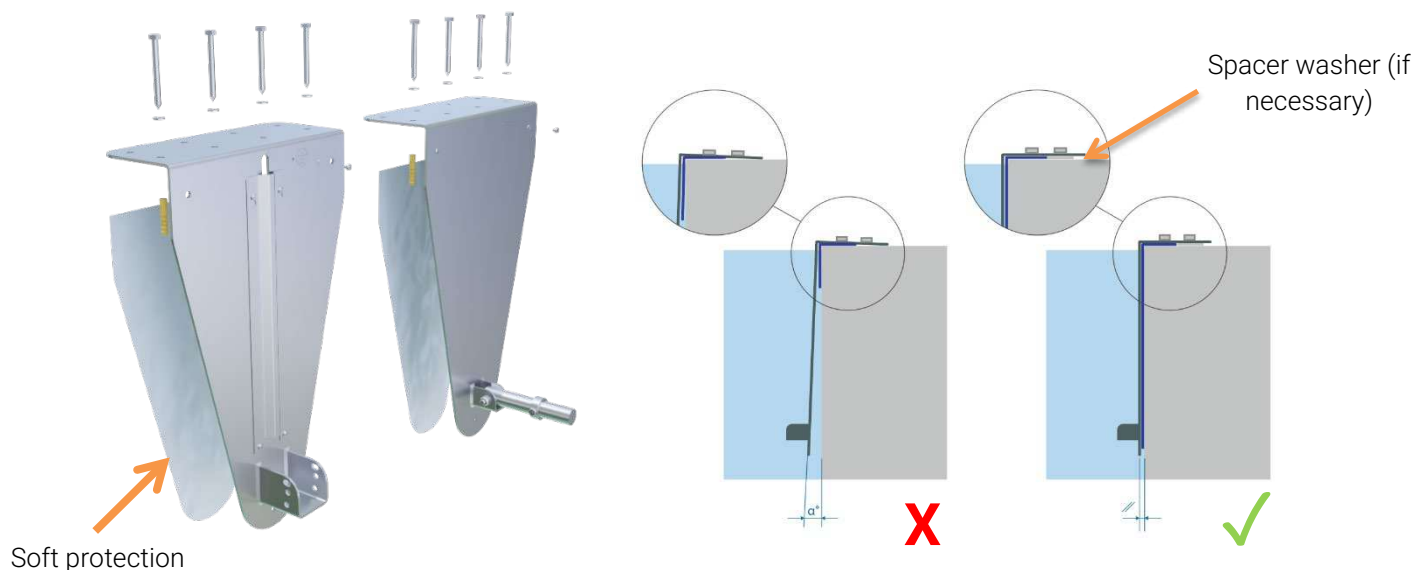


For pools with polystyrene blocks, a specific flange (Thermopack) is available (extended bracket).




The fixings must be installed so that the winding shaft is perfectly perpendicular to the pool and level. Drill with a  $\varnothing 10\text{mm}$  drill bit suitable for the material. Insert the anchors and then secure the supports using hex head screws and washers. Don't forget to place the soft protection between the flange and the pool.

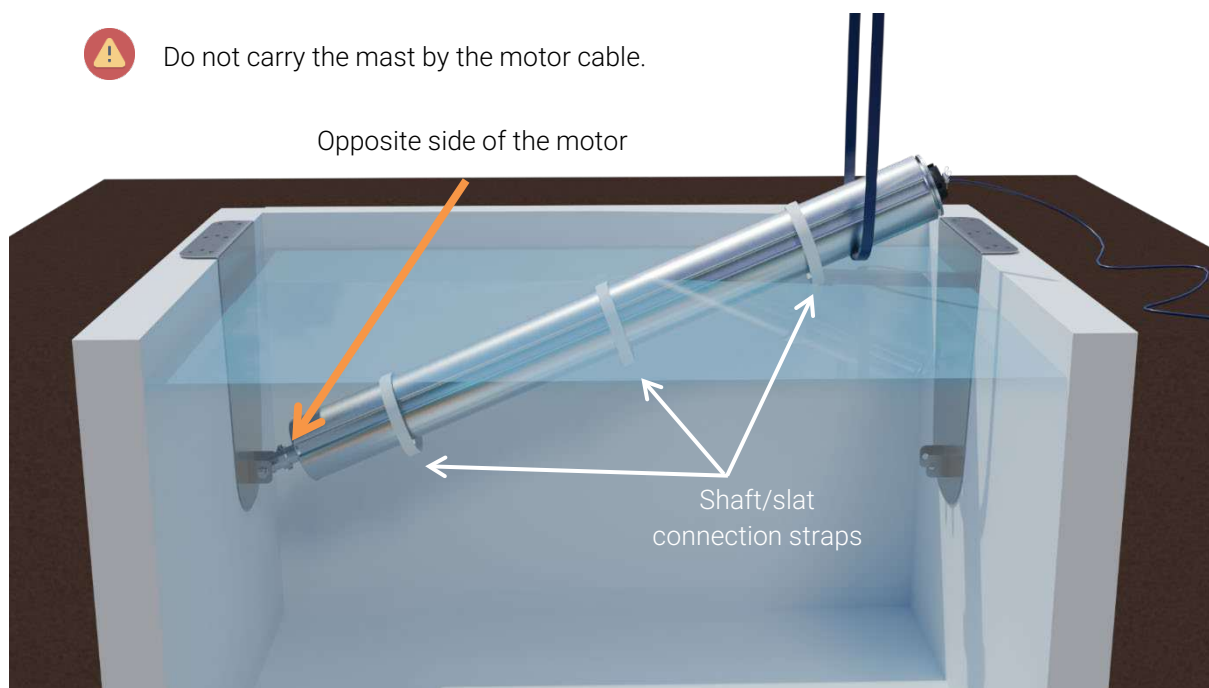





### 1.3 Installation of the winding shaft

Check the presence of the shaft/slat connection straps on the winding shaft.  
Use a strap to lower the shaft into the pit by inserting the shaft already on the flange opposite the motor side into the winding shaft.

 Do not carry the mast by the motor cable.



 Allow the reel to fill with water.

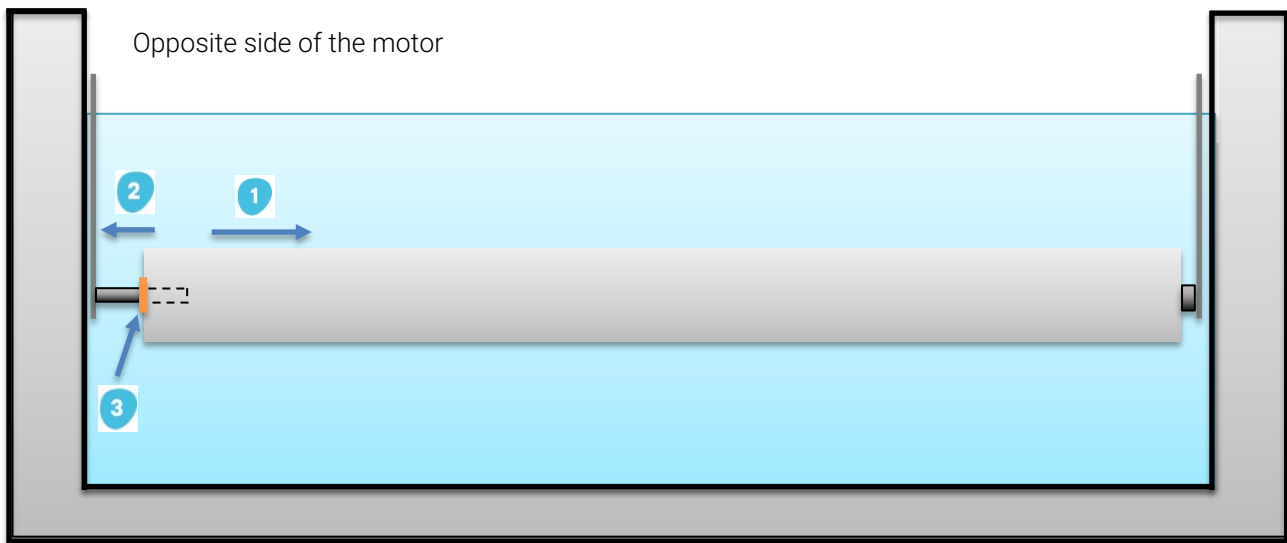
Lock the motor side with the shaft and pins.

Place the cable behind the protection trough and pass the cable out of the pool through the hole provided for this purpose.

#### Opposite side of the motor:

1. Push the winding shaft towards the pool.
2. Press the flange against the wall.
3. Place the bushing against the reel and secure its position with the screw and locknut.

The flanges must be perfectly flush against the walls.



## STEP 2 - Installation of the beam and/or partition wall

### 2.1 Case 1 - Fixing the beam support to the wall

Place the two supports under the coping, ensuring they are level with the resting area at the end of the pool.

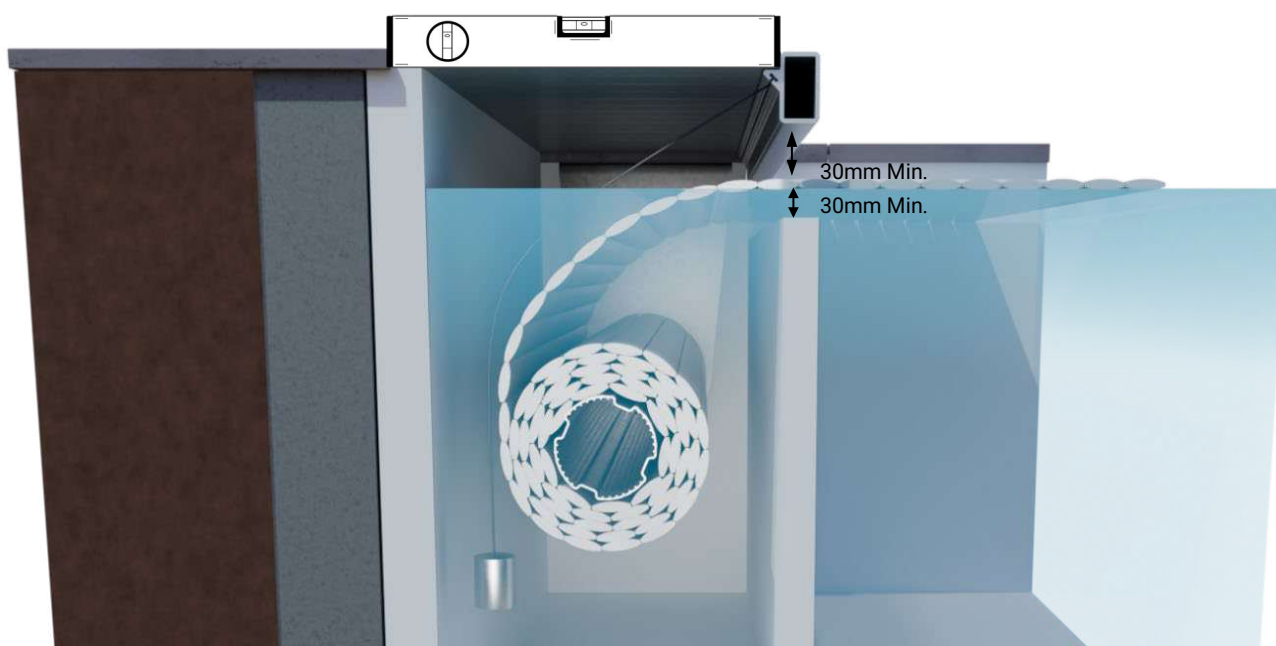
Secure the beam support to the pool wall



Use a round hole and an elongated hole to effectively adjust the angle of the support.



A beam offset is provided to simplify the installation.



Be careful, the space between the beam and the top of the wall must be less than 15 cm.

### 2.2 Case 2 - Fixing the beam support under the coping

The brackets must be installed so that the beam is perfectly perpendicular to the pool wall.

Drill through the two holes using a  $\varnothing 10\text{mm}$  drill bit suitable for the material.

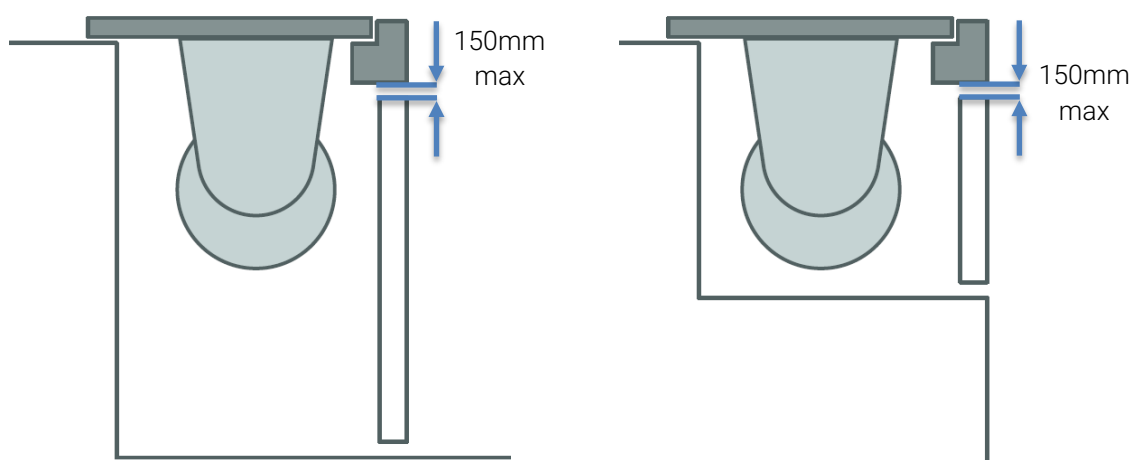
Insert the anchors and then secure the supports using hex head screws and washers.



Next, secure the beam supports with the locknuts, ensuring they are level with each other and also aligned with the resting area at the end of the pool.



## 2.3 Case 3 - Fixing the partition wall and beam support under the coping

Measure the depth of your pit to adjust, if necessary, the length of the bracket and the rail.



-  Be careful, the brackets have a specific orientation (right and left). The screw that is not aligned with the others is on the pit side.
-  Be careful, the space between the beam and the water level must be **at least 30mm**, as well as the space between the wall and the water level, which should also be **a minimum of 30mm**.

The brackets must be installed so that the beam is perfectly perpendicular to the pool wall.

If necessary, cut the bracket to adjust it to the depth of your pool.

Drill the two holes using a  $\varnothing 10\text{mm}$  drill bit suitable for the material.

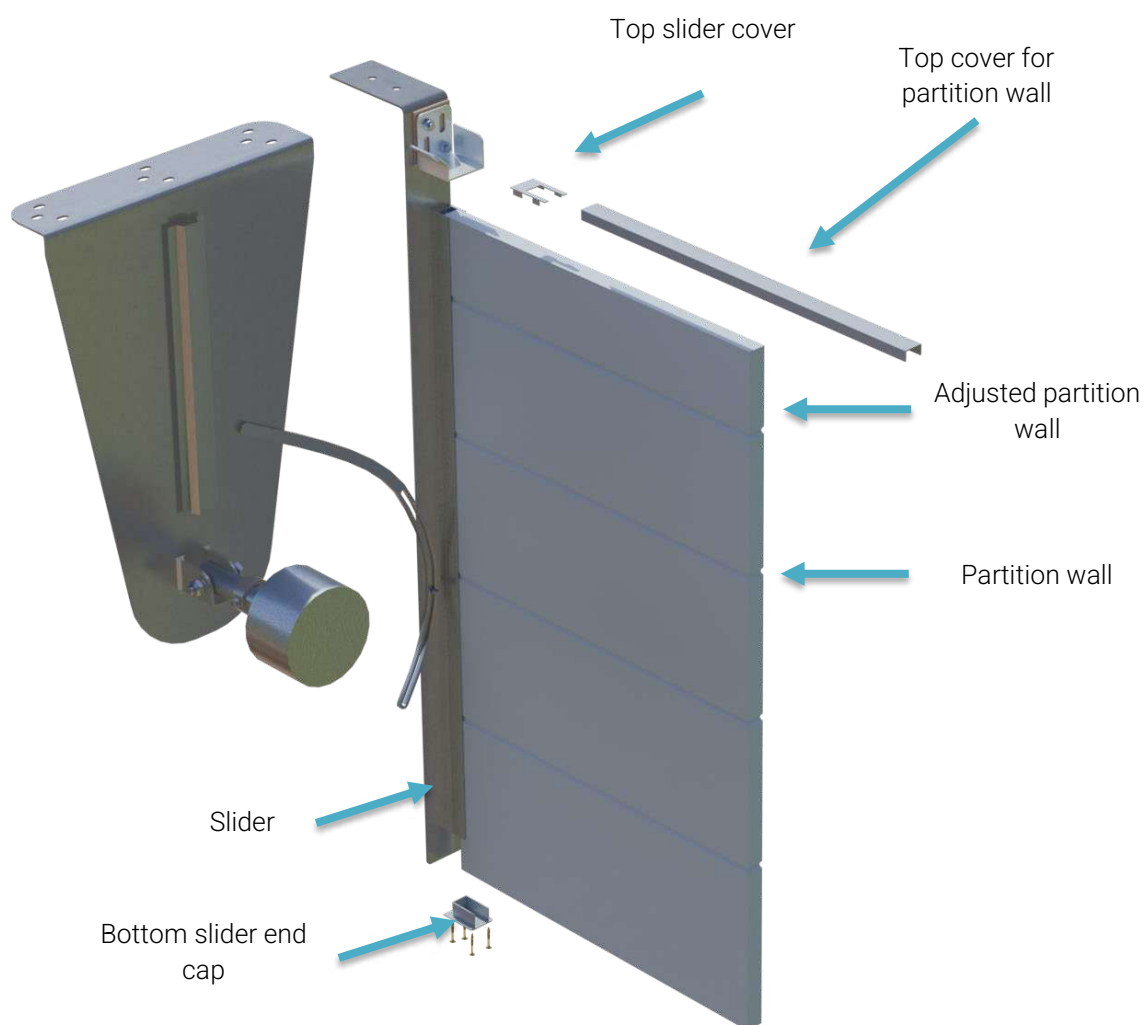
Insert the anchors and then secure the supports using hex head screws and washers.

If the wall height is greater than 80 cm, secure the reinforcement arm present on the flange to the bracket with a washer and a locknut.



Adjust the length of the rails by cutting them to the correct size. Screw the bottom rail end cap into the rail, then secure the rails on both sides using washers and locknuts.

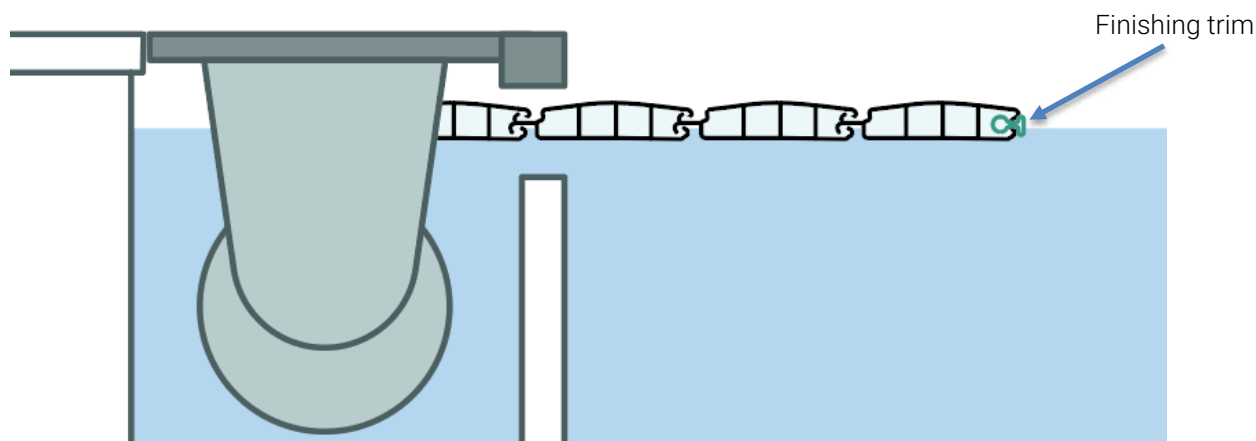
Insert the panels of the wall into the rails by sliding them in. Clip the top rail cover and the top cover for the partition wall. Finally, secure the beam supports with the locknuts, ensuring they are level with each other and also aligned with the resting area at the end of the pool..



## STEP 3 - Installation of the slatted cover

### 3.1 Slats orientation

The top of the slat is slightly curved, while the bottom is flat. The open side of the slat is oriented towards the end of the pool, and the male part is oriented towards the axis.



With the movement of the water, in some cases, the first slat may damage the wall on the opposite side of the mechanism. We recommend placing a finishing trim, which is provided in the package, to protect the wall.



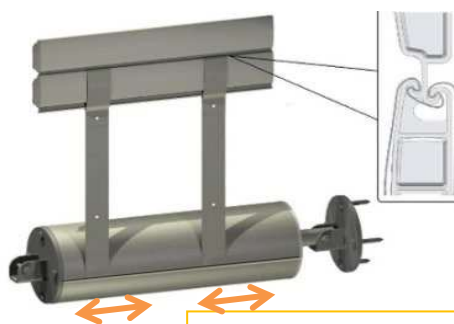
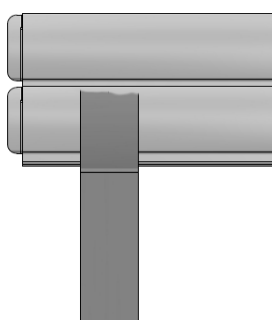
The box with the first and last slats is labeled with a "Start/End" tag.

### 3.2 Fixing the slats to the shaft

Take a single slat and slide it into the straps.

Balance the position of the straps on the slat towards their attachment point.

Once the alignment is correct and balanced, connect this slat to one or more other slats.



The straps, due to their flexibility, will fit into the slat connection without the need for cutting.

### 3.3 Slats assembly

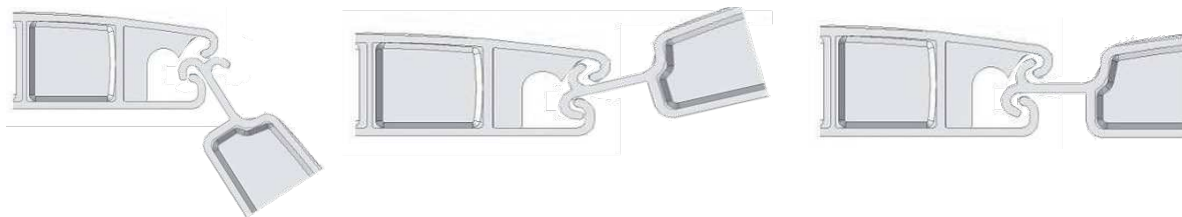
To assemble the 6-slat strips, simply insert the tab into the groove at one end, then, with a wrist motion, tilt the slats up and down until the entire length is assembled.

**Assembly method by threading:**

The slats with welded caps clip or thread together. You will notice that each package of 6 slats contains the first and last slats without caps, allowing for assembly by threading. Once threaded, clip a left and right cap to secure the connection.

To disassemble the slats, remove the cap using an electrician's screwdriver to unclip the cap.

**Assembly method by clipping:**



Insert the locking trim along the length of the first slat.



Condensation may appear inside the transparent and solar PVC slats, such as Polycarbonate; this is a normal phenomenon.

### **3.4 Slats number**

Depending on the length of your pool, a certain number of slats is determined.

We systematically deliver additional slats to account for potential damage during transport or installation.

The table below provides the recommended number of slats based on the length of your pool.

Minimum pool length (in cm)	Maximum pool length (in cm)	Slat numbers
393.65	400	63
400.1	406.45	65
406.55	412.9	66
413	419.35	67
419.45	425.8	68
425.9	432.25	69
432.35	438.7	70
438.8	445.15	71
445.25	451.6	72
451.7	458.05	73
458.15	464.5	74
464.6	470.95	75
471.05	477.4	76
477.5	483.85	77
483.95	490.3	78
490.4	496.75	79
496.85	503.2	80
503.3	509.65	81
509.75	516.1	82
516.2	522.55	83
522.65	529	84
529.1	535.45	85
535.55	541.9	86
542	548.35	87
548.45	554.8	88
554.9	561.25	89
561.35	567.7	90
567.8	574.15	91
574.25	580.6	92
580.7	587.05	93
587.15	593.5	94
593.6	599.95	95
600.05	606.4	96
606.5	612.85	97
612.95	619.3	98
619.4	625.75	99
625.85	632.2	100
632.3	638.65	101
638.75	645.1	102
645.2	651.55	103
651.65	658	104
658.1	664.45	105
664.55	670.9	106
671	677.35	107
677.45	683.8	108
683.9	690.25	109
690.35	696.7	110

Minimum pool length (in cm)	Maximum pool length (in cm)	Slat numbers
696.8	703.15	111
703.25	709.6	112
709.7	716.05	113
716.15	722.5	114
722.6	728.95	115
729.05	735.4	116
735.5	741.85	117
741.95	748.3	118
748.4	754.75	119
754.85	761.2	120
761.3	767.65	121
767.75	774.1	122
774.2	780.55	123
780.65	787	124
787.1	793.45	125
793.55	799.9	126
800	806.35	127
806.45	812.8	128
812.9	819.25	130
819.35	825.7	131
825.8	832.15	132
832.25	838.6	133
838.7	845.05	134
845.15	851.5	135
851.6	857.95	136
858.05	864.4	137
864.5	870.85	138
870.95	877.3	139
877.4	883.75	140
883.85	890.2	141
890.3	896.65	142
896.75	903.1	143
903.2	909.55	144
909.65	916	145
916.1	922.45	146
922.55	928.9	147
929	935.35	148
935.45	941.8	149
941.9	948.25	150
948.35	954.7	151
954.8	961.15	152
961.25	967.6	153
967.7	974.05	154
974.15	980.5	155
980.6	986.95	156
987.05	993.4	157
993.5	999.85	158

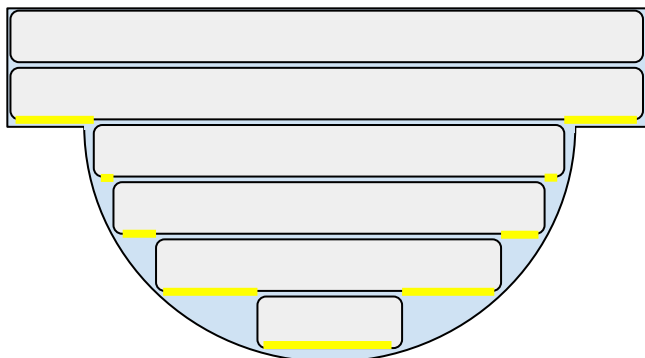
Minimum pool length (in cm)	Maximum pool length (in cm)	Slat numbers
999.95	1,006.3	159
1,006.4	1,012.75	160
1,012.85	1,019.2	161
1,019.3	1,025.65	162
1,025.75	1,032.1	163
1,032.2	1,038.55	164
1,038.65	1,045	165
1,045.1	1,051.45	166
1,051.55	1,057.9	167
1,058	1,064.35	168
1,064.45	1,070.8	169
1,070.9	1,077.25	170
1,077.35	1,083.7	171
1,083.8	1,090.15	172
1,090.25	1,096.6	173
1,096.7	1,103.05	174
1,103.15	1,109.5	175
1,109.6	1,115.95	176
1,116.05	1,122.4	177
1,122.5	1,128.85	178
1,128.95	1,135.3	179
1,135.4	1,141.75	180
1,141.85	1,148.2	181
1,148.3	1,154.65	182
1,154.75	1,161.1	183
1,161.2	1,167.55	184
1,167.65	1,174	185
1,174.1	1,180.45	186
1,180.55	1,186.9	187
1,187	1,193.35	188
1,193.45	1,199.8	189
1,199.9	1,206.25	190
1,206.35	1,212.7	191
1,212.8	1,219.15	192
1,219.25	1,225.6	194
1,225.7	1,232.05	195
1,232.15	1,238.5	196
1,238.6	1,244.95	197
1,245.05	1,251.4	198
1,251.5	1,257.85	199
1,257.95	1,264.3	200
1,264.4	1,270.75	201
1,270.85	1,277.2	202
1,277.3	1,283.65	203
1,283.75	1,290.1	204
1,290.2	1,296.55	205
1,296.65	1,303	206



## 3.5 Special cases

### Stairs

If there is a presence of a staircase, you must lock the slats with the locking profile. Cut a piece of the locking profile to the desired length and then insert it into the groove of the previous slat.



### Guiding

The slats must follow a smooth direction without any blockage during rolling and unrolling.

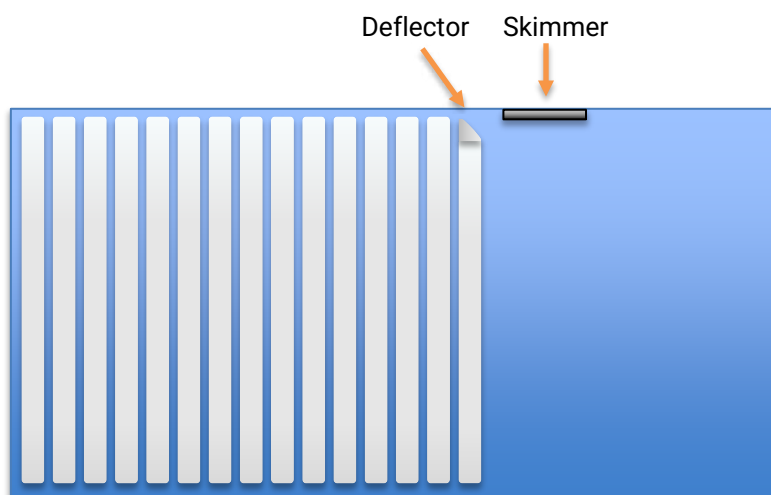
To facilitate unrolling, some options are provided with the cover:

- Skis for the inclination of the first slat
- Cover deflector (angle to divert the slats, in the case of a staircase, skimmer, etc.).



### Cover deflector

In the presence of a skimmer, staircase, etc., an angle to divert the cover may be necessary. It can either be installed at the factory if specified in the order, or it can be ordered as an accessory.



## 3.6 Unclip a slat

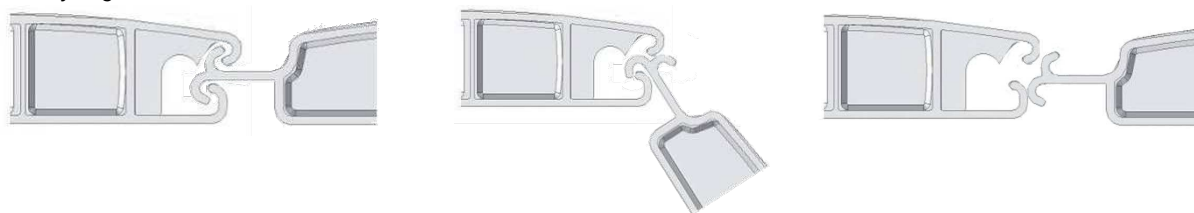
### Sliding method:

To disassemble the slats, carefully remove the cap using an electrician's screwdriver to unclip the cap. Then, slide the slats.

### Clipping method:

To unclip a slat, you need to compress the two slats together, tilt the right slat downwards to release the upper part of the tab.

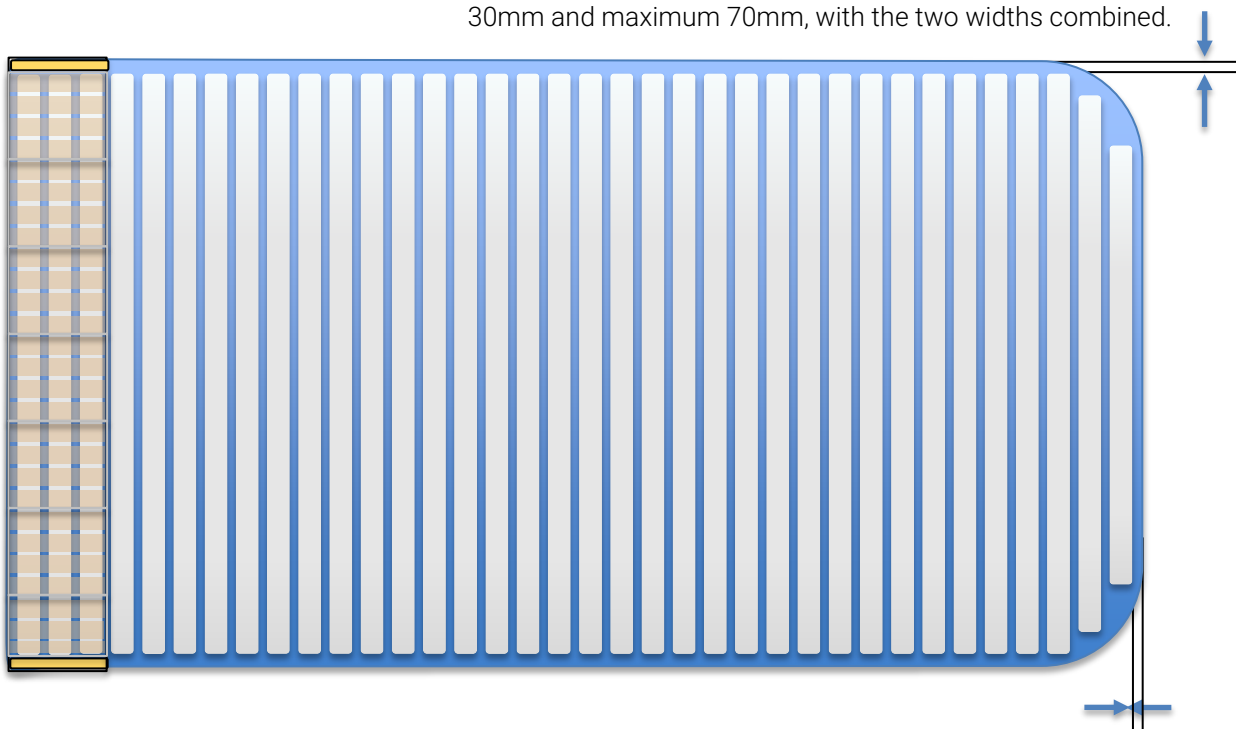
Next, pull the right slat upwards to release the lower part of the tab.  
Finally, with an up-and-down motion of the slats, you will be able to release the slat.  
Be cautious, as using a flat object to lift the tab may seem tempting, but the risk of damaging the slats is very high.



PVC or Polycarbonate slats, when in contact with friction (counterweights, skimmers, return jets, etc.), may develop scratches of varying degrees depending on the chosen color. It is the responsibility of the installer to take the necessary measures to minimize this phenomenon.

### 3.7 Cover diagram

Space between the edge of the pool and the slats, minimum 30mm and maximum 70mm, with the two widths combined.



Space between the edge of the pool and the slats, maximum 70mm, with the two lengths combined.



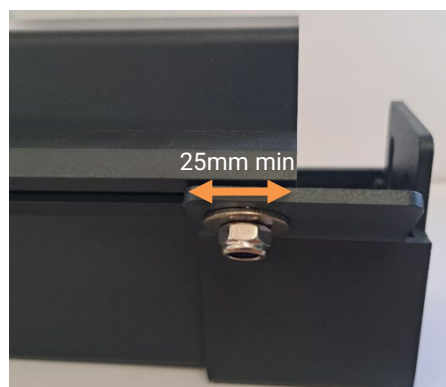
### 3.8 Interchangeables wings

If necessary, the wings can be removed or added to adapt to the pool. A space between the edge of the pool and the slats of 30mm minimum and 70mm maximum (combined from both widths) must be maintained. If this is not the case, it is possible to remove the standard fin to reduce by 7.5 or 0.2mm per side, or add accessory wings to gain 7.5 or 5mm per side.

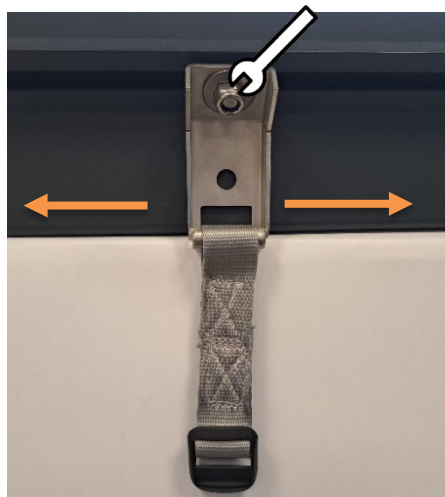


### 3.9 Installation of the Beam and counterweights

Insert a hexagonal head screw into the groove of the beam at each end. Place the beam into the supports and secure it with a washer and a lock nut. Ensure that at least 25mm of the support is in contact with the beam.





Adjust the position of the bracket on the beam, then insert the counterweight strap into the loop.



Adjust the length of the counterweight straps so that they do not come into contact with the slats, nor rest on the ground when the cover is rolled up or unrolled.

## STEP – Motorisation

### 4.1 Installation of the electrical box

-  Refer to standard NF C15-100 section 702 for the placement of the electrical box.
-  **CAUTION!** Always disconnect the power supply when wiring the electrical box or the motor to avoid the risk of irreversible damage.

The electrical box must be installed in a frost-free technical room, sheltered from rain, sunlight, any heat sources, and any risk of splashing or immersion.

It should be mounted level, ideally between 1.2 meters and 1.5 meters above the ground, vertically, with the cable glands facing downward and on a sufficiently strong, flat, and smooth surface to support the weight of the box.

#### Motor Connection

If you have box type 2, refer to page 25, point 4.7: *Connection of motor type 2*.



Box 1





Box 2

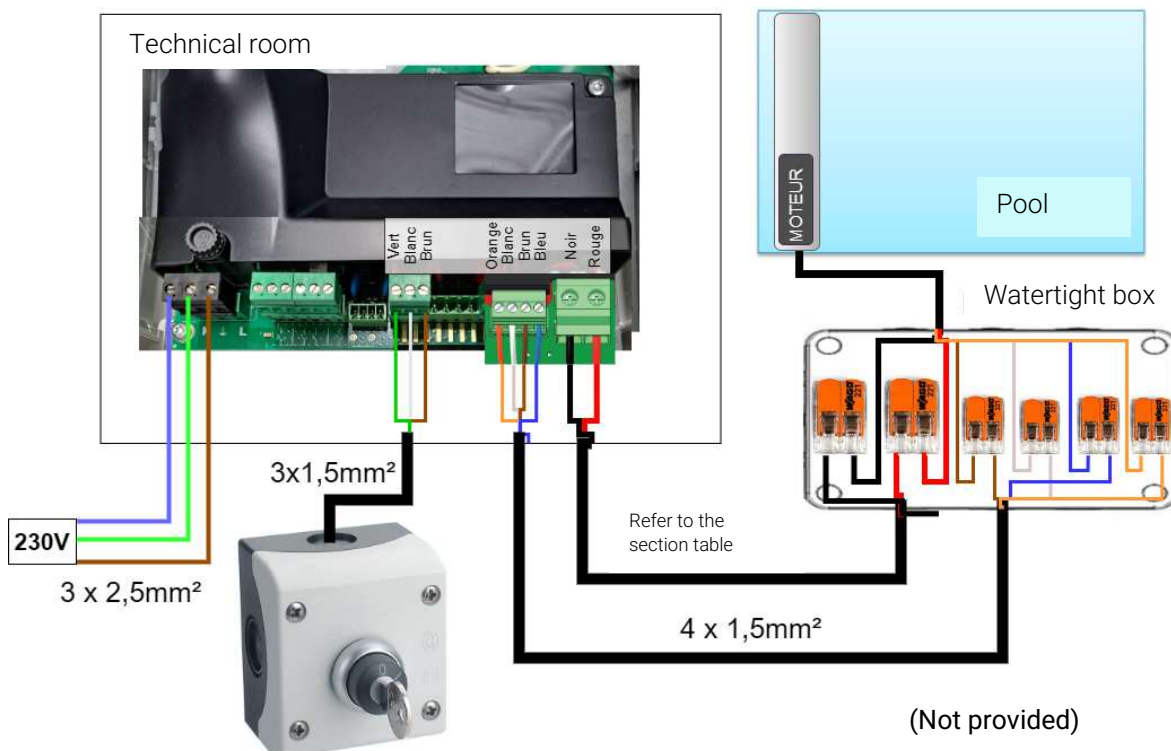
### 4.2 Motor Connection type 1

Connect the cables to the quick connectors as indicated in the diagram below:

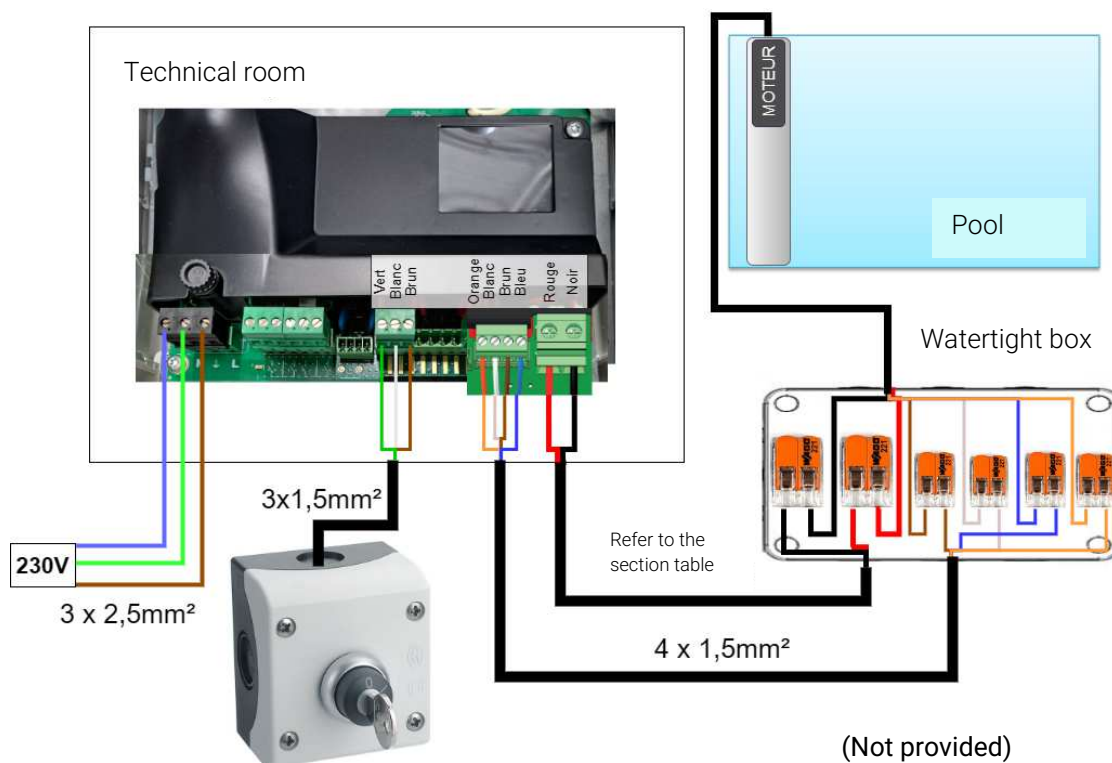
If you are using the dry contact, for example, for a salt chlorinator, please refer to section 4.3.

-  The motor must be connected in a waterproof box at the pool outlet.
-  It is imperative to install the key switch in a location that allows a permanent view of the pool during operations.

• Motor on the Right



• Motor on the Left

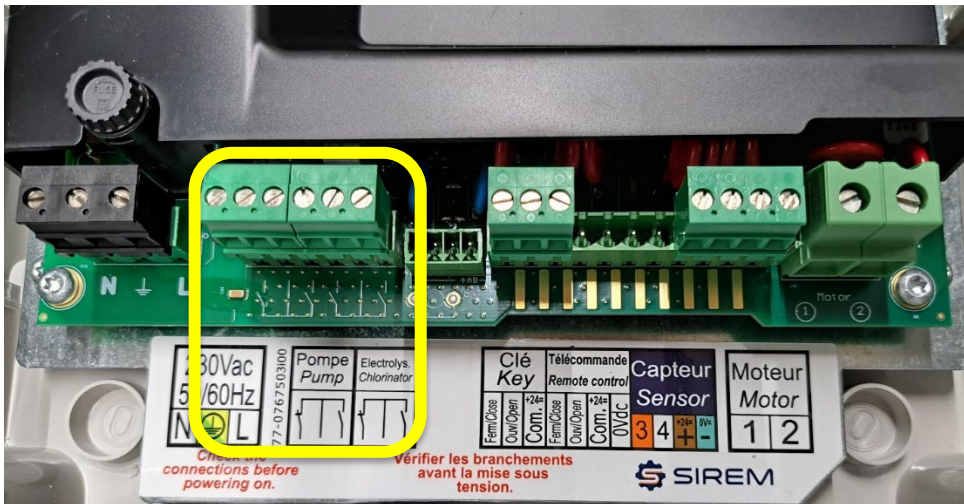


Cable section table (not provided):

Motor/control box distance	2m<L<=20m	20m<L<= 30m	30m<L<= 50m
Recommended cable section	2x 2.5 mm <sup>2</sup> + 4 x 1.5 mm <sup>2</sup>	2x 4 mm <sup>2</sup> + 4x 1.5 mm <sup>2</sup>	2x 6 mm <sup>2</sup> + 4 x 1.5 mm <sup>2</sup>

### 4.3 Electrolyzer or pump (Optional)

- If the water treatment device has an input to indicate the state of the pool (closed or open), it is possible to connect a contact from the electrolyzer terminal block. This connection will be made using two wires: one will be the common wire for the treatment device, and the other will be the signal wire.
- The control box includes a contact that changes state when the motorization is in motion. This information can be used to stop the filtration pump. Under no circumstances can the contact directly stop the pump. It can only be used to control the pump's contactor, in series with the on/off contact if present.

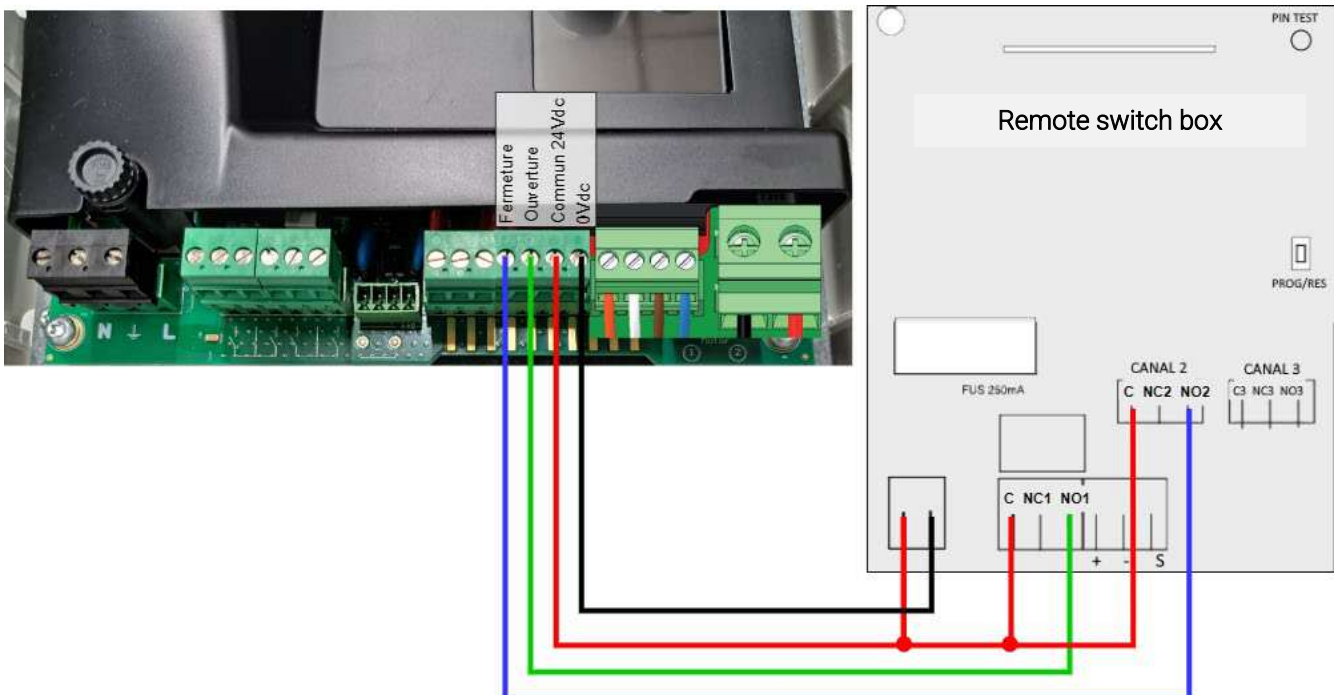


### 4.4 Remote control module connection (Optional)

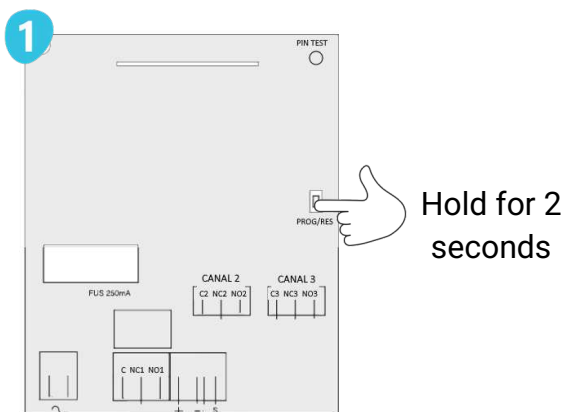
In case of using the remote switch, you must wire the remote switch box as indicated in the following diagram:

Use a 4-wire cable between the remote control terminals of the electrical box and the terminals of the remote switch box.

Use a wire of the same section to create two bridges between the +, C1, and C2 points.



## 4.4.1 Pairing of the remote switch



Press the "PROG/RES" button for at least 2 seconds, until you hear a beep.

Press the switch button once.



A beep confirms the press, wait for 10 seconds.



A double beep confirms the success of the operation.

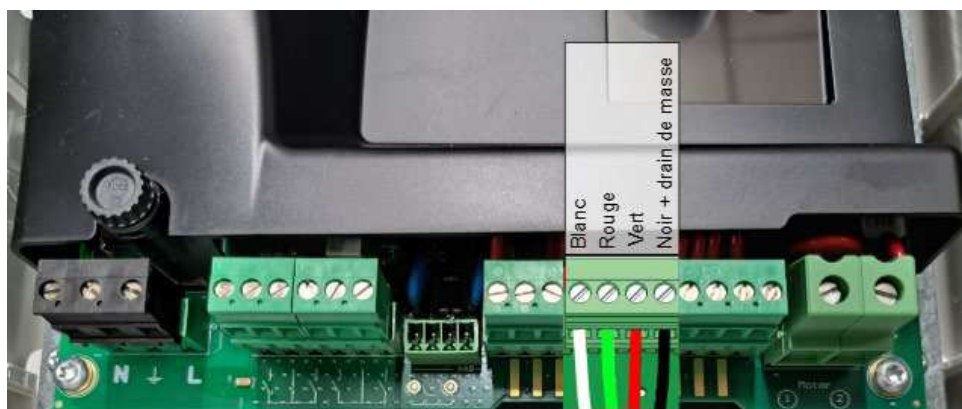
## 4.5 Bluetooth control

(See the user manual for Bluetooth usage)

The Bluetooth box connects to the remote control terminal block of the box.



Mount near the emission location (smartphone) with a view of the pool.



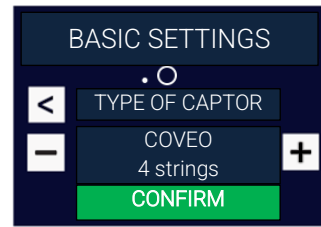
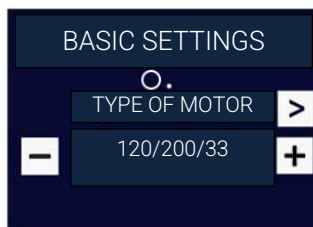
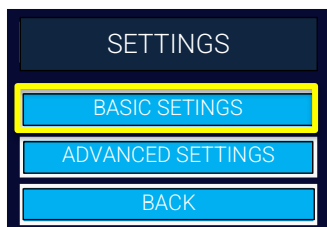
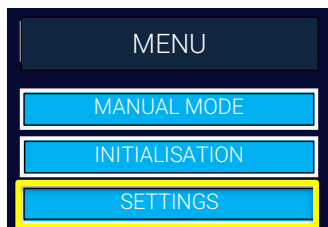
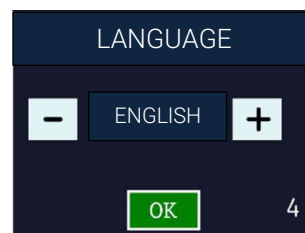
Bluetooth box



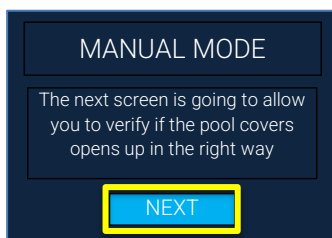
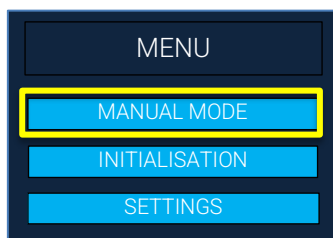
## 4.6 End-of-travel programming

During the first use, select the language and then confirm.

In the settings menu, then in basic settings, select the motor type "120/200/300" and the sensor type "COVEO 4 wires," then confirm.



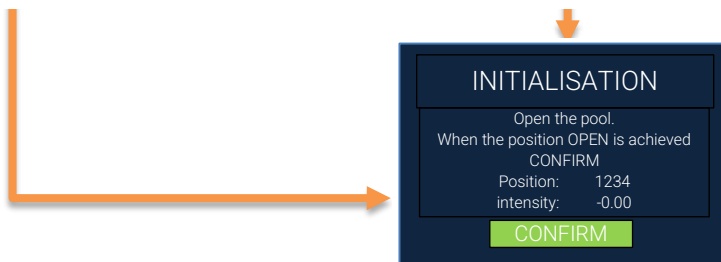
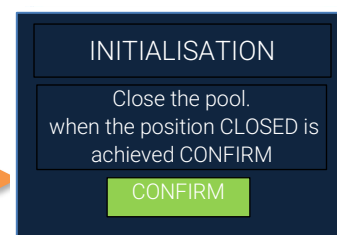
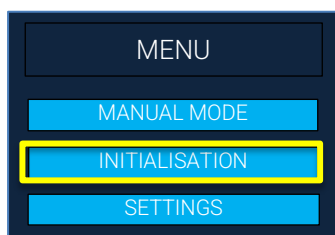
Use the + and – buttons to find the correct type, then use the arrow to switch categories. Select "MANUAL MODE" and then click "NEXT." Turn the key to the open position. The pool should open, and no errors should appear.



If the cover does not open in the correct direction, reverse the "Open" and "Close" wires on the key switch.

Select "INITIALIZATION" mode and indicate whether the pool is fully open or not.

When the pool is open, press the « **CONFIRM** » button.



Your end-of-travel settings are saved.



## 4.7 Connection of motor type 2

Connect the cables to the quick connectors as shown in the diagram below:  
If you are using a dry contact, for example, for an electrolyzer, please refer to point 4.8.

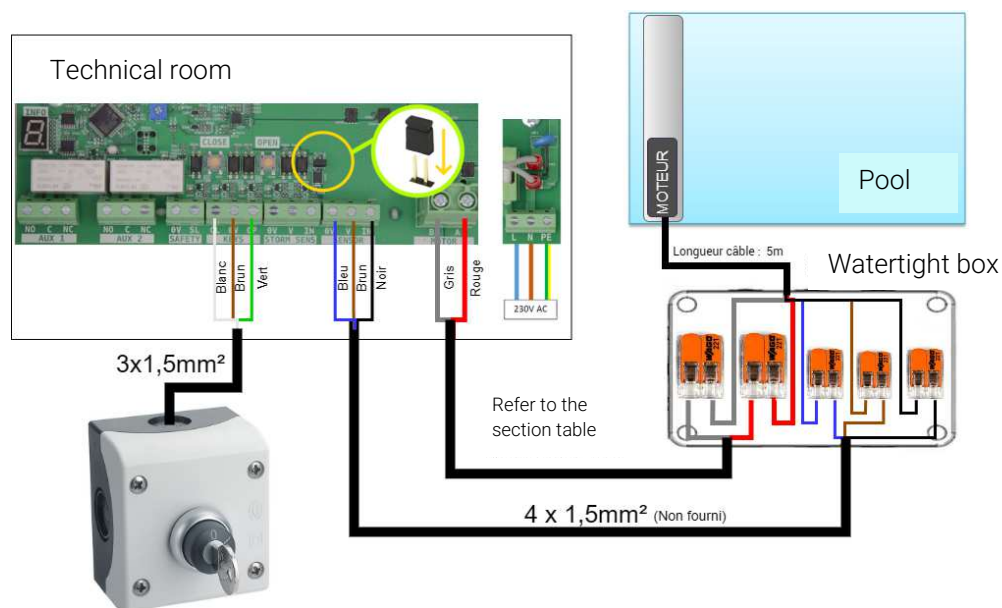


The motor connects to a waterproof box at the pool outlet.



It is essential to install the key switch in a location that allows continuous visibility of the pool during operations.

Check that the cables are free of defects.

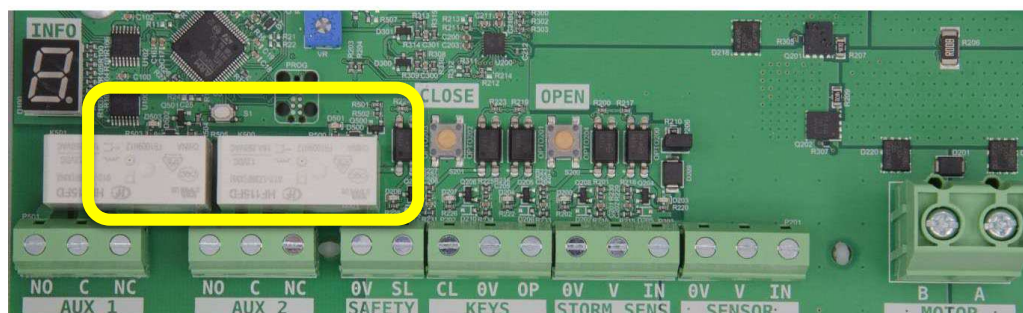


Motor/control box distance	2m<L<=20m	20m<L<= 30m	30m<L<= 40m
Recommended wire section	2x 4 mm <sup>2</sup> + 4x 1.5 mm <sup>2</sup>	2x 6 mm <sup>2</sup> + 4x 1.5 mm <sup>2</sup>	2x 10 mm <sup>2</sup> + 4x 1.5 mm <sup>2</sup>

## 4.8 Electrolyzer or pompe (Optional)

If the water treatment device has an input to indicate the state of the pool (closed or open), it is possible to connect a contact from the electrolyzer terminal block. This connection will be made using two wires: one will be the common wire for the treatment device, and the other will be the signal wire.

The control box includes a contact that changes state when the motorization is in motion. This information can be used to stop the filtration pump. Under no circumstances can the contact directly stop the pump. It can only be used to control the pump's contactor, in series with the on/off contact if present.

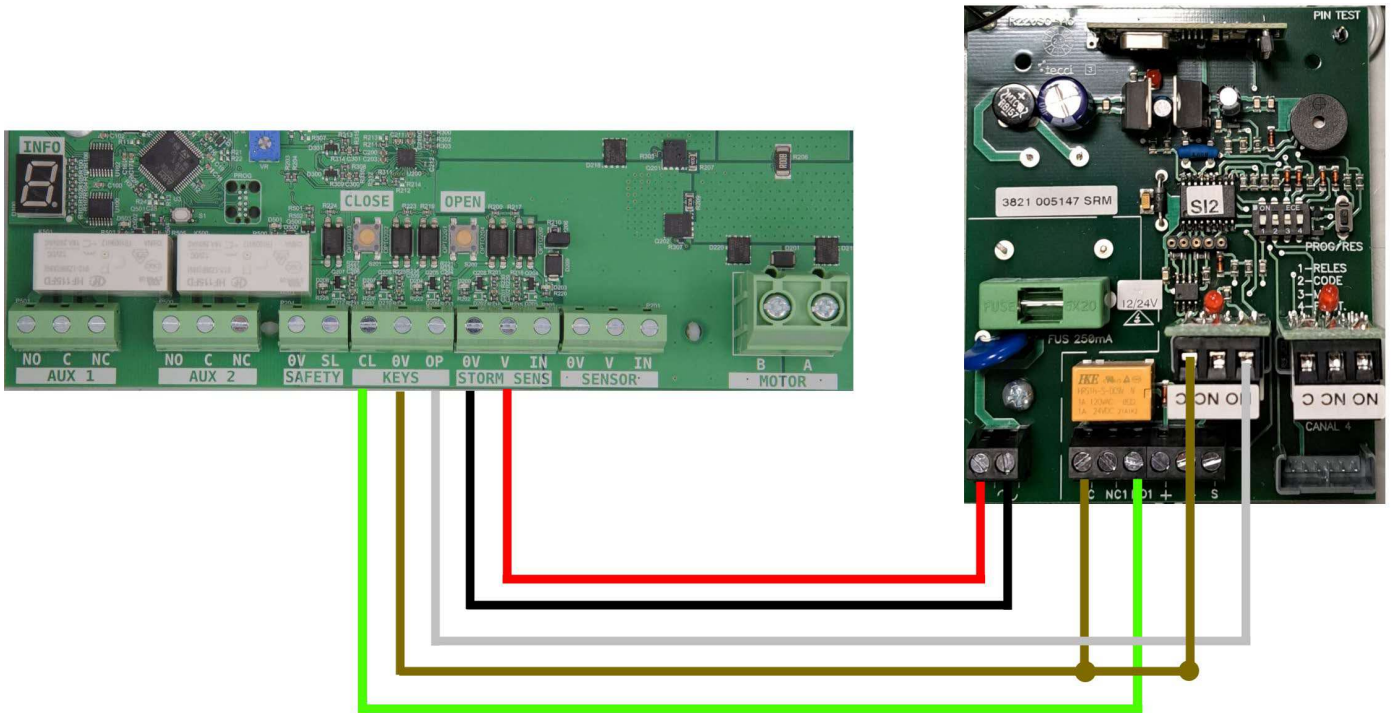


## 4.9 Remote control module connection (Optional)

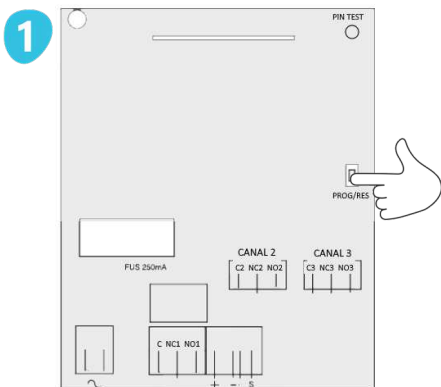
In case of using the remote switch, you must wire the remote switch box as indicated in the following diagram:

Use a 5-wire cable between the remote control terminals of the electrical box and the terminals of the remote switch box.

Use a wire to create two bridges between the C1 and C2 points.



### 4.9.1 Pairing of the remote switch



Hold for 2 seconds



Press the switch button once.

Press the "PROG/RES" button for at least 2 seconds, until you hear a beep.



Press the "PROG/RES" button for at least 2 seconds, until you hear a beep.



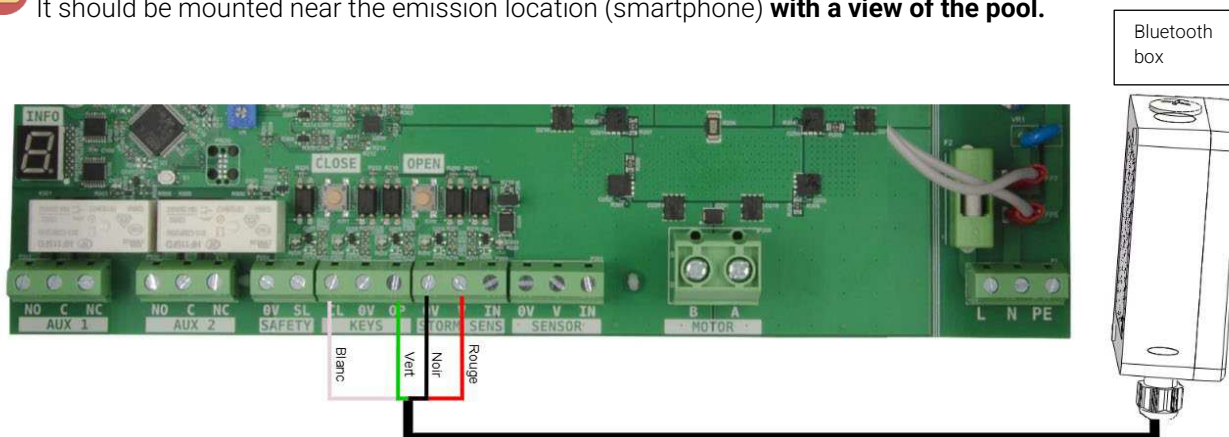
A beep confirms the press, wait for 10 seconds.

## 4.10 Bluetooth control

(See the user manual for Bluetooth usage)

The Bluetooth box connects to the remote control terminal block of the box.

 It should be mounted near the emission location (smartphone) **with a view of the pool.**



## 4.11 Forced mode

To be used only by qualified personnel

**Direction verification:**

1. Set the box to FORCED mode by using the switch numbered 1: "FORCED," positioning it to "ON."
2. Use the OPEN and CLOSE buttons to verify that the motor rotates in the correct direction for a few centimeters. If not, turn off the box and reverse the two phases on the "MOTOR" terminal block. Then repeat the same operations.
3. Once the operation is complete, set the "FORCED" switch back to the "OFF" position. Then restart the electrical box by pressing button 19.



## 4.12 End-of-travel programming

4. Press and hold the "OPENED" button until the green LED next to it lights up. You have entered the programming mode for the "open" end-of-travel position.
5. Using the "OPEN" button on the electronic board or the key switch, move the deck to the open position (pool uncovered).
6. Press the "OPENED" push button. The green LED turns off, and the position is saved.
7. Press and hold the "CLOSED" button until the green LED next to it lights up. You have entered the programming mode for the "closed" end-of-travel position.
8. Move the deck to the closed position (pool covered). First, ensure that no one is using the pool and that it is clear.
9. Press and hold the "CLOSED" push button for a few seconds. The green LED turns off, and the position is saved.
10. Restart the electrical box by pressing button 19.



The end-of-travel positions are now programmed.



The buttons are described on page 4.

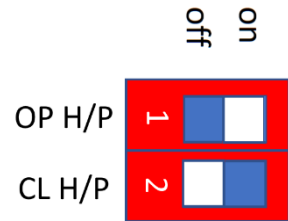
## 4.13 Automatic mode usage

This mode allows for the normal operation of opening and closing the cover, with automatic stopping at the end-of-travel positions.

Switch 1 ("OP H/P") must be set to **ON** (to the right) to activate the impulsive opening of the cover

Ensure that switch 2 ("CL H/P") is set to **OFF** (to the left) to activate the manual closing of the cover

Always restart the electrical box by pressing button 19 after modifying a switch.



## 4.14 Speed ramp programming

The speed ramp allows you to gradually accelerate or decelerate the motor during startup or approach phases to the end of the cycle.

- Open the pool completely.
- Activate the function with switch 4: RAMP to ON.
- Restart the control board by pressing button 19
- Press and hold the "RAMP" button until the green LED next to it lights up. You have entered the speed ramp end programming mode.
- Close the pool to the position where you want to start the motor at maximum speed.
- Press the "RAMP" push button – the green LED turns off, and the position is saved.
- Restart the electrical box by pressing button 19.



## 4.15 Anti-tear

This function is designed to prevent the tearing of the security system (attachments, straps, etc.) on the last slat. If the user forgets to release the cover, this function automatically stops the motor when a certain current threshold is exceeded.

The function is activated by setting dip-switch 6 "ANTI -S" to ON and restarting the control board.



## STEP 5 – Setting up the safety loops

To enhance the safety of your cover, place safety hooks at the end of the apron. These hooks are mandatory in France to comply with the NF P 90-308 standard.  
When the cover closes the pool, the apron is locked.

### LOCKED COVER = SAFETY

The number and position of the fixings are determined by the standards.  
The fixing support must be strong enough to withstand the pulling forces.

#### **Attention!**

*In order for the cover to comply with the NF P90-308 standard, the attachment systems at the end of the pool are mandatory. Before opening the cover, the owner must unlock the attachments, and after closing the cover, the owner must lock the attachments.*

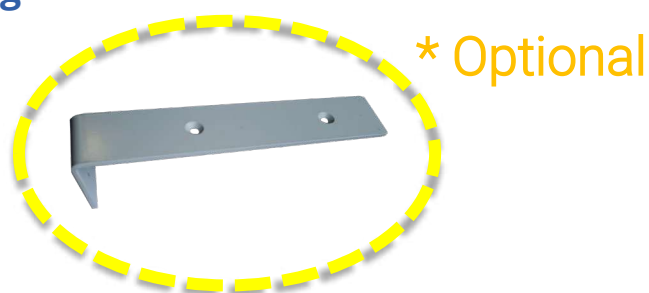
### 5.1 Generalities

L'utilisateur doit verrouiller tous les ancrages après fermeture du bassin.

L'utilisateur doit déverrouiller tous les ancrages avant d'ouvrir la piscine.

### 5.2 Locking

#### 5.2.1 Traditional locking



Determine the position of the safety anchors according to the table below (5.3)

- **If you do not wish to use an under coping bracket**

Mark the location of the holes to drill the fixing point for the safety strap.

Drill down to the concrete belt and then inject silicone into the holes before inserting the plugs.

Fix the strap directly through the hole with the screws and plugs supplied.

- **If using under- coping brackets (Option)**

Mark the hole locations to drill the fixings for the safety plate.

Drill the holes and apply silicone to each before inserting the plugs.

Fix the plate using the stainless-steel screws supplied.

Fit the straps with buckles to the first slat, at the anchor points.

Test for correct assembly before delivery to the customer.

## 5.2.2 Stainless steel lock under coping (optional)



Determine the position of the safety anchors according to the table below (5.3)

- **If you do not wish to use an under coping bracket**

Mark the position of the holes to drill the fixing points for the safety clamp.

Drill and inject silicone before inserting the plugs.

Fix the strap directly through the hole.

- **If using under- coping brackets**

Mark the position of the holes to drill the fixing points for the safety plate.

Drill and inject silicone before inserting the plugs.

Fix the plate using the stainless-steel screws supplied.

Fit the straps with buckles to the first slat, at the anchor points.

Test for correct assembly before delivery to the customer

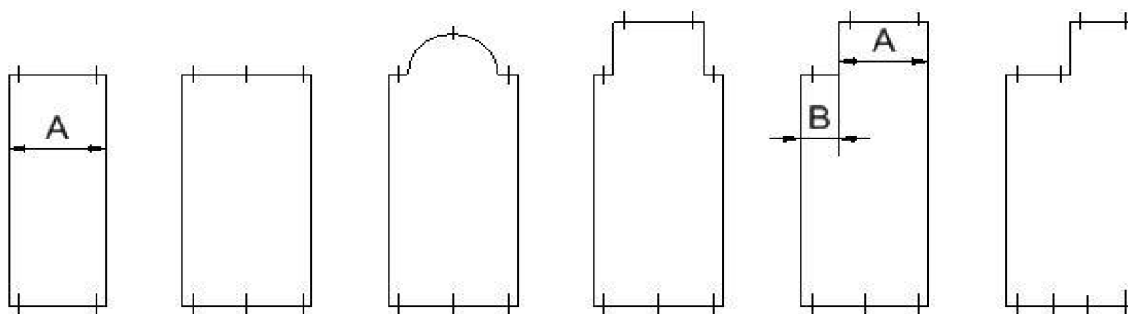
## 5.3 Number and position of safety hooks

The user must lock all anchors after closing the pool.

The user must unlock all anchors before opening the pool.

The position of the locks is dictated by the safety standard.

Here are the rules to be applied, depending on the shape of the pool



	A (m)		B (m)		
Dimensions (m)	<3	3 - 5	< 1	< 2	≥ 2
Hooks :	2	3	1 in the middle	1 at 500mm from the wall	Idem A

**Location :**

- The end fixings are positioned 50 cm from the edge.

- A maximum distance of 2 meters is allowed between two lockings.
- The center of the anchor must be located 5 cm from the water level.

The position of the safety anchors should also be placed on the winding side for the following cases:

- Submerged installation: Bench / stairs
- Submerged installation: In the wall / in the slab
- Submerged installation: Box on the bottom

Cases where anchors are not required on the winding side:

- Submerged installation: In a niche under the grating

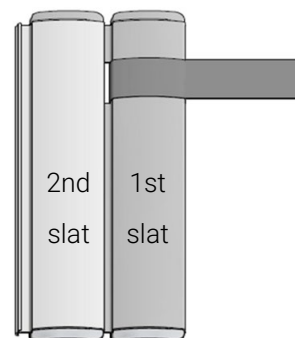
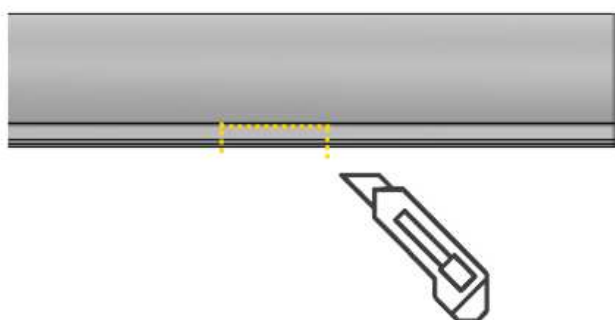
Roman stair with radius < 1,5m

- One fixing must be positioned at the end of the roman

Roman stair with radius  $\geq 1,5m$

- Place 3 anchors in the roman

It is necessary to cut the tabs on the first slat at the positions of the safety straps; you can do this using a cutter.



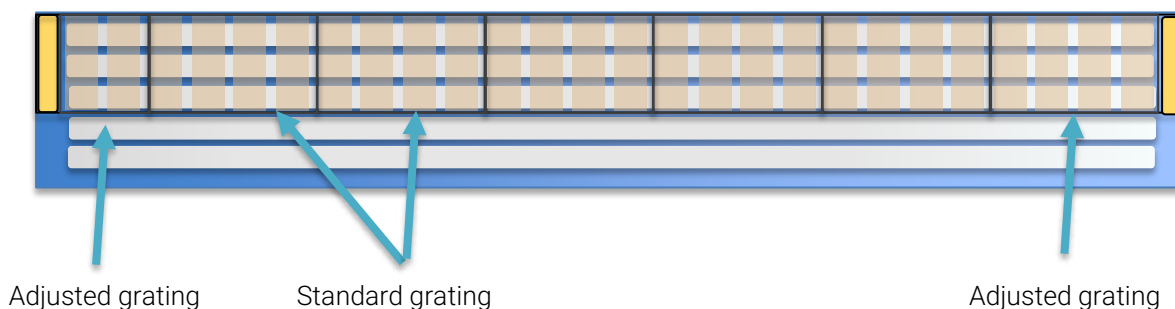
Régler la longueur des sangles de sécurité une fois l'installation effectuée.

## STEP 6 – Grating Installation

If the grating is not supplied by Walter, we disclaim any responsibility for the compliance of the system.

### 6.1 Wooden Grating

The grating is delivered in sections, with the last sections adjusted to fit the width. These cut sections should be placed at the ends.



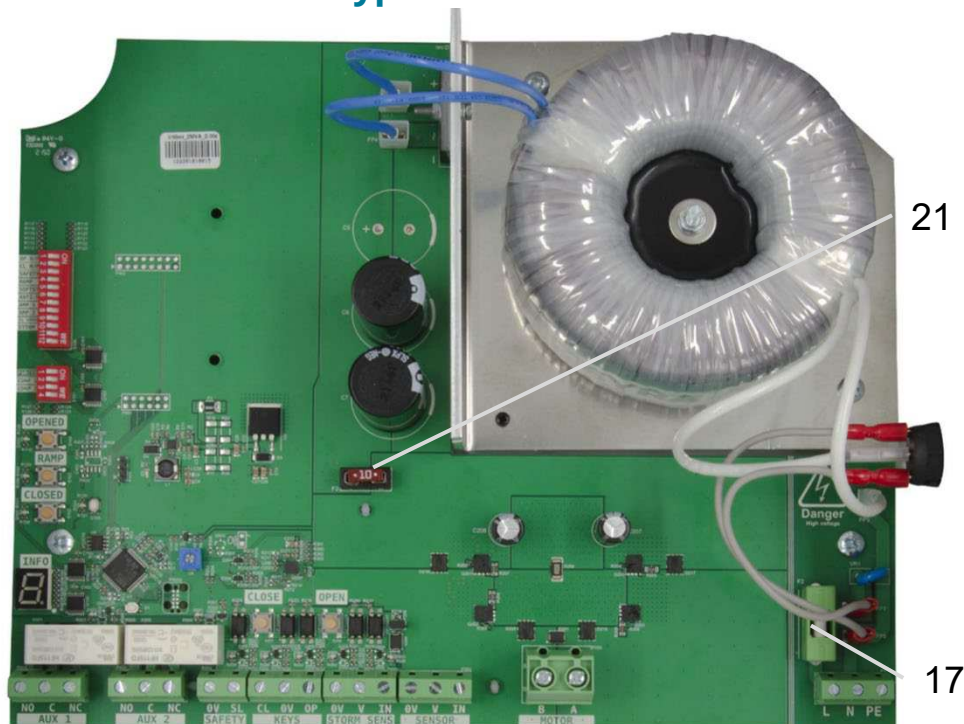
## 6.2 Aluminium grating



The aluminum gratings are pre-adjusted in depth; however, the final sections will need to be adjusted in width by you to fit your pool.

## STEP 7 – Service and Troubleshooting


Troubleshooting assistance is available on the website [www.waluroll.com](http://www.waluroll.com) under the "Technical Space" tab, then "Troubleshooting Diagnosis ».

### 7.1 Assistance for Type 2 Control Box













-  **Warning:** Before performing any intervention on the control box and after disconnecting the power supply upstream of the box, wait 15 seconds to allow the capacitors to discharge their residual energy.
-  **Warning:** In case of a malfunction of the control box or for interventions other than programming mode, manual mode, or pairing, activate the electrical disconnection device upstream of the box.

### 7.2 Error Code table

DETECTED ISSUE	ALARM CODE	TROUBLESHOOTING ACTION
By activating the main switch, the control box does not start.	None	Check the wiring to the power supply. If the wiring is correct and the single-phase current is present, check the ceramic fuse at the power input. If the error persists, replace the entire control box.
After the first start-up, the board started correctly, the motor wiring is correct, but it is impossible to operate the motor.	None	Put the board in force mode to overwrite any previously saved parameters; reprogram the limit switches. Without programming, the motor can only move if we are in force mode or if the "open" limit switch programming has been started.
When activating the main switch, the initialization sequence ends with an alarm.		Turn off the board and restart it. If that doesn't work, perform a restart with the forced mode activated, which will overwrite the data. If the error persists, replace the entire control box.



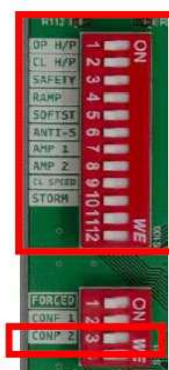
During the end-of-travel programming, alarm 1 is triggered.		This alarm informs the user that the end-of-travel position has been exceeded. If there is no real reason for this issue, the FORCAGE mode should be activated to overwrite the previous values, and then the end-of-travel positions should be fully reprogrammed. Acknowledge the alarm.
During the end-of-travel programming or normal use, alarm 2 is activated.		The motor power cables (red and gray) are not properly connected to the control box, or there is a wiring issue between the motor and the control box. Carefully check the wiring to resolve the issue; you can switch to forced mode to check if the motor is properly connected. If there is no solution, the motor could be broken or short-circuited. Try powering it with batteries for final confirmation, or connect the motor directly to the control box without any intermediate wiring.
The display shows alarm 3 during motor operation, which causes the motor to stop; the motor does not start and alarm 3 is displayed.		This alarm is triggered if more than 3 seconds pass between two pulses from the sensor. First, check the wiring of the sensor. If there are no wiring issues, put the board in FORCAGE mode and check if the motor operates at a normal speed when used manually. If this is the case, the internal sensor of the motor is broken and needs to be repaired by WALTER. Until the replacement intervention, the cover can be used with caution in forçage mode.
The motor does not start, and alarm 4 is displayed.		One of the fuses has blown; completely turn off the board and wait about fifteen seconds. Disconnect it from the power supply. Remove and test the various fuses with a tester, and replace the faulty fuse. Restart the board and check the proper functioning of the motor.
The motor stops, and alarm 5 is displayed.		The ampere control function is active, and some obstacles or technical issues have caused the threshold to be exceeded. Acknowledge the alarm and analyze the reason for the threshold breach. Use an ammeter to check the current value around the point that triggered the alarm. If the current remains within acceptable values but the threshold breach repeats, you can reprogram the function by performing a new current acquisition (see chapter 3.7).
The motor stops, and alarm 6 is displayed.		The safety loop is active, and an alarm has caused the emergency stop of the motor. Disable switch 3.
The motor stops, and alarm 7 is displayed.		The anti-tear function is active, and a current threshold exceedance has been detected during the first few seconds of opening the cover. Check the straps and ensure that no obstacle is preventing the motor from moving forward. Acknowledge the alarm. If the alarm triggers again, set the switch for the option to OFF.
The motor stops and alarm 8 is displayed.		The motor is overloaded and has been stopped to prevent damage. This alarm is activated when the time between two sensor pulses exceeds 3 seconds and a high current value is detected. Acknowledge the alarm and analyze the situation to determine the cause of the alarm trigger. Check the wiring, ensure there are no obstructions, and verify that the motor is functioning within normal parameters. If the issue persists, further investigation into the motor or sensor may be needed.
The Cover is opening		The accessory connected to the "STORM SENS" terminal has been triggered, causing the cover to close. Wait for the sensor to reset.
The motor only works in one direction.		Disconnect the motor power cables and check if the motor can move correctly in both directions using a battery. In this case, position the cover approximately halfway through its travel. Reconnect the motor to the board and switch to forced mode. If the motor only moves in one direction, replace the board.

When activating a function with the appropriate dip switch, nothing happens.		To fully activate advanced optional functions such as the safety loop or the pulse mode at opening, the board must always be reset by turning it off and then turning it back on.
The motor stops suddenly.		The drive controlling the motor has suffered an electrical shock and may be damaged; if the alarm persists after resetting, the defective board should be replaced.

### 7.3 Complete reset of the electronic board.

To completely erase the memory of the electronic board, follow the procedure below:

- Set all dip switches for advanced functions to OFF.
- Enter "FORCAGE" mode.
- Exit "FORCAGE" mode.
- Restart the board using the main power switch.



## User manual

The person performing the operation must ensure there are no swimmers in the pool and always keep the pool in view during the opening or closing procedures.

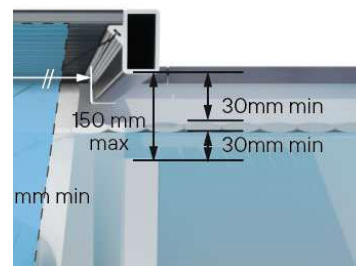
It is essential to fully open or close the cover, never leaving it in an intermediate position. Always verify that the water level in the pool remains constant and in accordance with the manufacturer's recommendations.

### Grating

The maximum load supported by the gratings is 120 kg.

### Water level

The water level must be regulated to ensure the proper functioning of the cover. A level that is too low or too high will block the slats.



### Open the pool



It is imperative to keep a constant view of the pool during operations.

To open your pool, **detach the safety straps** located opposite the cover.

Once the straps are detached, insert the key into the lock on the cover and give a pulse on the "open" side to have your cover open and stop automatically.

Remove the key from the cover at the end of the operation.

### Close the pool



It is imperative to keep a constant view of the pool during operations.

To close your pool, insert the key into the lock on the cover and then hold the key on the "closed" side.

The cover will close and stop automatically when it reaches the closed position.

Remove the key from the cover at the end of the operation.

**Attach the safety straps** (ensure the water level allows the cover to be properly locked).

## Use the remote switch (Option)

### Child safety

Please place the remote switch out of the reach of children.



Hold for  
5 sec



Press both buttons simultaneously for at least 5 seconds. The electronic board will then emit an audible signal.

Press once on the central button. The board will then emit a double audible signal.

The child safety feature automatically reactivates 8 minutes after each unlocking.

### Open the pool



It is imperative to keep the pool in sight at all times during operations.

To open your pool, unhook the safety straps located opposite the cover.  
Once the straps are detached, deactivate the child safety feature on the switch.

Then, simply press the top button to open the cover, which will stop automatically.



### Close the pool



It is imperative to keep the pool in sight at all times during operations.

To close your pool, press and hold the bottom button to close the cover. It will stop automatically once it reaches the closed position.



**Attach the safety straps (ensure that the water level allows the cover to be securely locked).**

## Use the Bluetooth (Option)

### Pairing a new phone

Download the **Roll'Connect** app directly from the Play Store or the App Store.  
To use the Roll'Connect app, Bluetooth must be enabled on the phone.  
Enter the password. New users will be prompted to set a password.  
Once the password is entered, the app will automatically search for nearby pool covers.

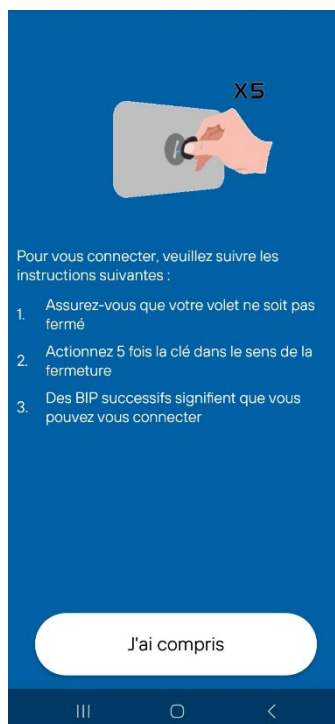


The connection to the motor is secured.  
Activate the key switch 5 times in the closing direction to allow communication with the Bluetooth unit.

This procedure must be completed before attempting to connect to the cover.



Successive beeps of 0.5s confirm the activation of the pairing mode (in the box).



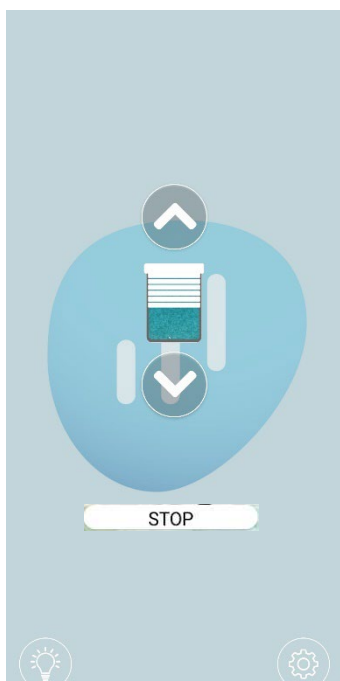
The screen for selecting the cover will appear.

In case of an issue, the message "Need help?" is available. This provides access to the FAQ.

## Using the Bluetooth App



It is essential to always keep the pool in view during operations.



Once the connection with the cover is established, the control screen appears.

The app provides access to 2 buttons: open (at the top) and close (at the bottom).

When the open button (located at the top) is pressed, the cover opens.

A simple press is enough for the cover to open automatically, without having to hold the button down.

If you need to stop the cover from opening, press the STOP button.



When the close button (located below) is pressed, a warning message will appear.

To close the cover, you must confirm that you have a clear view of the pool.

Once confirmed, hold the close button until the cover completely stops, which happens automatically via the limit switches.

## Maintenance of the cover

Maintenance is the responsibility of the customer. Walter covers require very little maintenance. In fact, simply cleaning the slats twice a year (in spring and autumn) will ensure their longevity. You can use a regular sponge (non-abrasive side) with soapy water and clean the slats as they unroll from the grid.

## Impact of water quality on materials.

- The following values should be respected:
  - $7 < \text{pH} < 7.6$
  - $0.5 < \text{Chlorine} < 3\text{mg/l}$
  - Chloride concentration should not exceed 5000ppm
  - Water temperature  $< 35^{\circ}\text{C}$
  - Conductivity:  $< 2.1\text{mS/cm}$
  - Iron  $< 0.2\text{mg/l}$
  - Bromine between 1.5 and 2.5g/m<sup>3</sup>

Never fill the pool with water containing iron (from wells, artesian wells, etc.) as it could permanently damage the equipment.

Exceeding the recommended values is one of the most frequent causes of corrosion on parts. Whether the dosages are automatic or manual, they may not be as accurate as desired. Therefore, we recommend regularly measuring the water quality to ensure the acceptable values are being respected.

- Components directly related to the pool are sensitive to oxidation due to a combination of factors (water splashes, condensation, evaporation) that can lead to a high concentration of chlorides. Regular and thorough cleaning can prevent rust spots. **WARNING:** the use of detergents, sulfuric acid, etc. is prohibited.

- Also avoid:

- Ensuring that the surface of stainless steel materials is not damaged during handling
- Any alteration of stainless steel components removes the protective "passivation" layer
- Using standard steel tools on stainless steel parts causes "carbon contamination"
  - In case of material damage (visible holes), the affected parts must be replaced.
  - Corrosion is always caused by poorly controlled water treatment, improper use of materials, or failure of the water grounding system, which is why the manufacturer's warranty cannot be invoked.

## **Influence of water quality on plastic parts, especially the slats:**

- **The PVC and PC used by Walter are of superior quality.** However, excessive chlorine or other pool chemicals will shorten the lifespan of the slats.
- **All slats, except white, sand, and light gray PVC, should be protected from direct sun exposure** when not in contact with water.
- **PVC and PC slats must benefit from continuous water circulation** when the cover is deployed over the pool. If the filtration system is not running, excessive heat can irreversibly damage the slats as well as the pool lining (liner, reinforced PVC, resins, etc.). The electrical box supplied with the cover can easily manage forced filtration start-up.
- **WARNING:** The use of a variable-speed filtration pump must be set to a minimum speed capable of ensuring water circulation under the slats. For "solar" slats, low speed may still be insufficient, potentially causing excessive heat that could irreversibly warp the slats.
- **Temperature differences** between pool water and ambient air can create a bimetallic effect on the slats. This results in the ends of the slats dipping into the water (when the air is warmer than the pool water) or the ends of the slats lifting out of the water (when the pool water is warmer than the air). This effect is more noticeable on darker-colored slats.
- **Slats are extruded products**, and a tolerance of 2mm/m is acceptable without any negative effects.
- In the event of a partial replacement of the cover or the addition of slats later, there may be a visible color difference.
- **In case of partial slat replacement**, color differences are inevitable.

## Winterization

### Active Winterization:

- In case of freezing, never attempt to operate your cover.
- For winterizing your pool, there is a winter cover screen for the cover: SLAT PROTECT PREMIUM.

SLAT PROTECT PREMIUM is the perfect complement for an above-ground or submerged roller cover. The protective cover is made to the interior dimensions of the pool and is secured directly to the cover with small Sandow clips. SLAT PROTECT LITE or PREMIUM prevents the accumulation of dirt, leaves, or pine needles on the roller slats, thus preventing contamination and discoloration of the slats.



### Passive Winterization:

- The water level should not be lowered.

## Maintenance

After any bad weather or impact from a foreign object on the cover, an inspection should be carried out to check the integrity of the slats and anchoring systems.

An annual check of the safety straps, slat tensioning straps, and slats is necessary.

If wear or anomalies are detected, replacement should be carried out before any further operation. Spare parts must be original or comply with the specifications in the document.

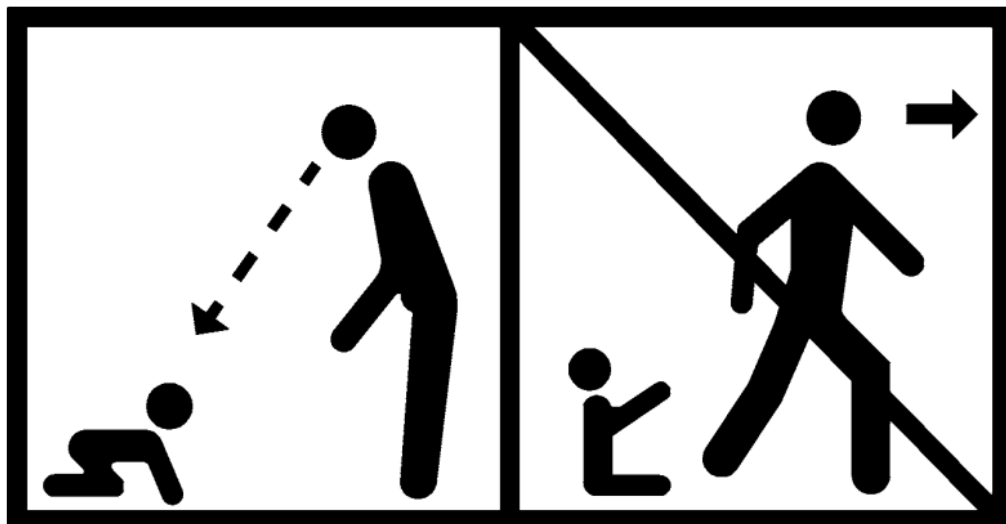
## Safety

The axle should not be used as a bench; do not sit on it. The pool safety cover is designed to prevent children under the age of five from accessing the pool. A child can drown in less than three minutes ; no type of protection will ever replace the supervision and vigilance of a responsible adult.

**Warning - The pool can pose a serious danger to your children. Drowning can happen very quickly. Children near a pool require your vigilance and active supervision, even if they know how to swim.**

**Warning - The physical presence of a responsible adult is essential when the pool is open.**





### Learn the lifesaving gestures.

Memorize and display near the pool the emergency contact numbers:

- Firefighters: (18 in France or 112 from a mobile phone)
- SAMU (Emergency Medical Service): (15 in France)
- Poison Control Center.

The person performing the operation must ensure there are no bathers present and must always keep an eye on the pool during opening or closing operations. It is essential to fully open or close the cover, never leaving it in an intermediate position.

This cover does not replace common sense or individual responsibility. It is also not intended to substitute for the vigilance of parents and/or responsible adults, who remain the key factor in protecting young children.

**WARNING – Safety is only ensured when the cover is closed, locked, and properly installed according to the manufacturer's instructions.**

- The cover must always be installed when the house is unoccupied, even for a short period.
- Check for the absence of swimmers or foreign objects in the pool before and during operation.
- Store the devices and/or tools necessary to operate the covers out of children's reach.
- The operation of the mechanism should only be carried out by a responsible adult.
- Do not allow anyone to climb, walk on, or jump on the safety cover or its system.
- Take all necessary measures to prevent young children from accessing the pool until the cover is repaired or in case of malfunction preventing proper closing and securing of the pool or during the temporary unavailability of the equipment or pool.
- Follow the water level guidelines specified by the manufacturer.

## Warranty conditions

The warranty is granted when the normal conditions of installation, use, winterizing, and maintenance are respected. WALTER ensures the replacement of defective parts during the warranty period, starting from the commissioning date. The installation and repairs of the automatic cover must be carried out by a qualified technician.

## Warranty duration

- 3 years for the motor
- 3 years for the electrical box
- 3 years on PVC blades for flotation, sealing, disintegration, and articulation. And on the mechanics, excluding corrosion.

## Warranty exclusions

- > Installation not in accordance with the installation manual
- > Deformation of polycarbonate blades due to lack of contact with the water surface
- > Damage caused by hail, storms, or lightning
- > Modifications made to a WALTER cover without our consent
- > Labor costs for disassembly and reassembly
- > Compensation fees and any penalty claims
- > Improper use

## Cover information

Pool safety cover designed to prevent access to the pool by children under 5 years old.

**Model: UnRoll 500**

### Pool dimensions covered:

- Maximum width: 5.50 m
- Maximum length: 13 m
- Distance from the top of the coping to the water level: Minimum 125 mm and Maximum 215 mm

### Weight:

- Mechanism for a 6 m wide pool: 45 kg
- Beam: 6 kg/m
- Partition wall: 9.5 kg/m<sup>2</sup>
- Grating:
  - Wood: 11 kg/m<sup>2</sup>
  - Aluminum: 15 kg/m<sup>2</sup>
- Cover: 4 kg/m<sup>2</sup>

Usage period: All seasons except when the cover is frozen in ice.  
WARNING regarding hail (check with your insurance).

- Estimated operation time: For a 8 x 4 m pool: 4 min 30 sec
- Locking or unlocking safety attachments: 30 seconds
- Number of people required for operation: 1 person
- Unloading the box: 2 people

## Troubleshooting

In case of any issues while using your cover, please contact your installer.

Installed by:

Customer reference :

Date :



# walter

Couvertures de sécurité  
& terrasses mobiles

# WaluRoll

## UnRoll 500



**Questions ?** Si vous rencontrez des difficultés en installant votre couverture de piscine, vous pouvez envoyer un e-mail accompagné de photos à [service@walter-pool.com](mailto:service@walter-pool.com)

**Schwierigkeiten?** Wenn Sie Probleme bei der Installation der Abdeckung haben, können Sie jederzeit eine E-Mail mit Bildern des Problems an [service@walter-pool.com](mailto:service@walter-pool.com) schicken.

**Any problems?** If you encounter problems when you are installing the mobile deck, you can always send an e-mail with photos about the problem to [service@walter-pool.com](mailto:service@walter-pool.com)

Member of **T&A** Group

Walter Pool  
2 rue de l'industrie 67490 DETTWILLER  
Tel. +33 3 90 29 51 00 - Fax + 33 3 90 29 51 19 [info@walter-pool.com](mailto:info@walter-pool.com)

