

Watkins Wellness®

INSTALLATION

Of your **ProLift®**

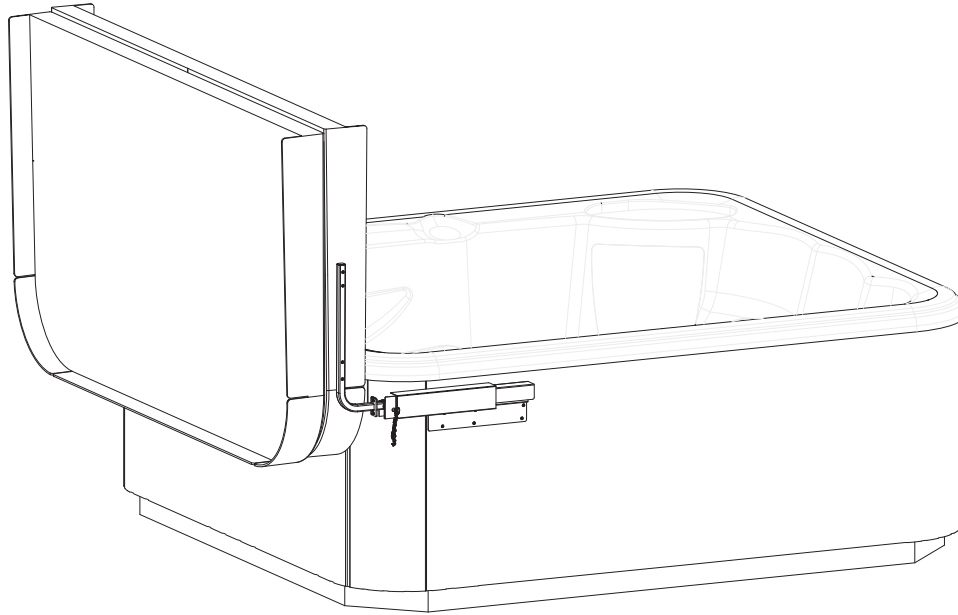


TABLE OF CONTENTS

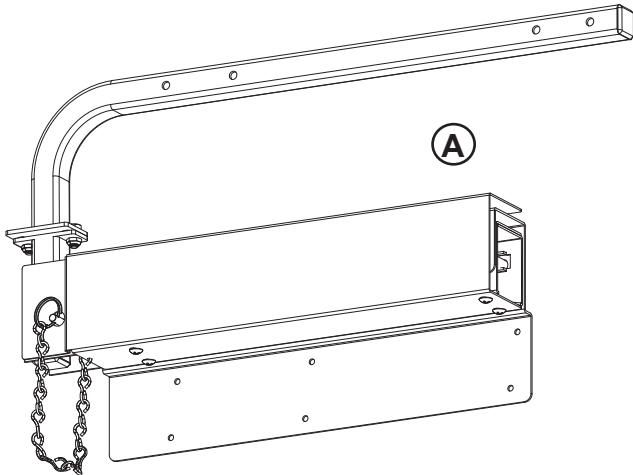
INSTALLATION REQUIREMENTS	1	PROLIFT INSTALLATION	6
KIT INCLUDES		ATTACH MAIN ASSEMBLY TO SPA CABINET	
INSTALLATION REQUIREMENTS	2	PROLIFT INSTALLATION	8
TOOLS REQUIRED		ADJUSTING BRACKET	
IMPORTANT INFORMATION		OPENING SPA COVER	
PROLIFT INSTALLATION		PROLIFT INSTALLATION	9
PREPARATION	3	LOCKING PIN INFORMATION	
INSTALL PREPARATION		CLOSING SPA COVER	
LOCATE PLATES			
TEMPLATE PREPARATION			
PROLIFT INSTALLATION	5		
ATTACH ASSEMBLY TUBE			

INTENDED USE IN KIT # 73190

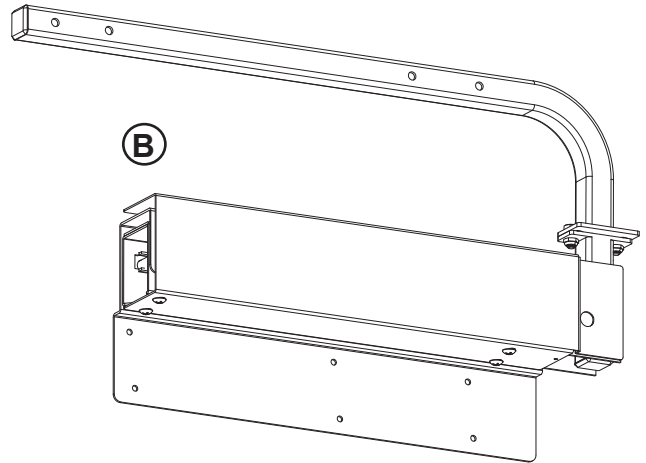
INSTALLATION REQUIREMENTS

KIT INCLUDES

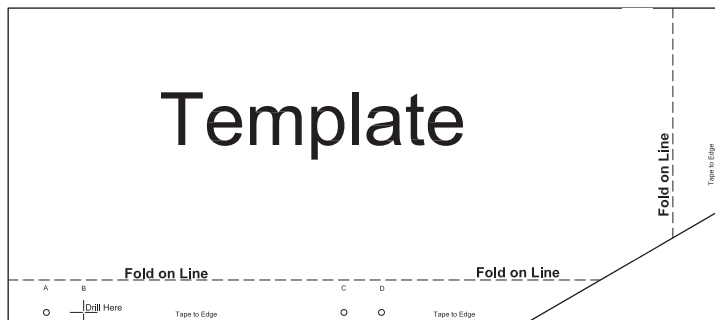
RIGHT PIVOT ASSY.



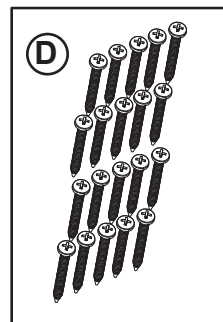
LEFT PIVOT ASSY.



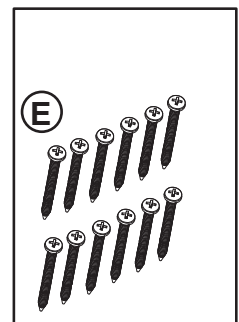
C



BAG #1 78925



BAG #2 78926



PART	QUANTITY	DESCRIPTION
A	1	Assembly, Right
B	1	Assembly, Left
C	2	Template (Right and Left) double sided
D	20	#10 X 1-1/2" Phillips Pan Head screws (Bag 1)
E	12	#10 X 2-1/2" Phillips Pan Head screws (Bag 2)

INSTALLATION REQUIREMENTS

TOOLS REQUIRED

Cordless Drill & Phillips
#2 Bit



Phillips #2 Screwdriver



2X 7/16" Wrench



Safety Glasses



1/8" Drill Bit and 1"
Extension



Fine Tip Marker



Tape



IMPORTANT INFORMATION

- **Two Technicians are recommended for this installation.**
- Read all of the instructions thoroughly before performing this installation.
- There must be a minimum of 14" clearance between the wall and the retracting side of the spa for cover to operate properly and 3" on each side for Side Arm clearance.
- The Warning Label on the cover is always the front of the cover; the lifter will attach on either the back side of the spa or the left side of spa depending on cover configuration.
- The cover side with the Warning Label will always fold over to the side without the Warning Label.
- To ensure that the cover seals correctly, the spa must be level.
- Use 12 screws in bag #2 to attach to spa cabinet on spas with removable panels.
- Use 12 screws in bag #1 to attach to spa cabinet on spas with non-removable panels.
- Locking Pin must be inserted when spa cover is in full open position to prevent injuries.

PROLIFT INSTALLATION PREPARATION

STEP 1 INSTALL PREPARATION

- Refer to (Figure 1.1) for the Left and Right cover lifter set orientation for (Front to Back) cover configuration:
 - On a (Front to Back) cover configuration, the Left and Right cover lifter set will attach on back side of spa (Figure 1.1).
 - The cover will fold toward the back side of spa.
- Refer to (Figure 1.2) for the Left and Right cover lifter set orientation for (Side to Side) cover configuration:
 - On a (Side to Side) cover configuration, the Left and Right cover lifter set will attach on left side of spa (Figure 1.2).
 - The cover will fold toward the left side of spa.
- Align the cover:
 - Position the cover evenly on all spa sides See (Figure 1.3).

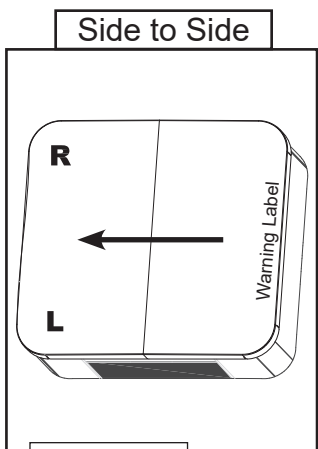


Figure 1.2

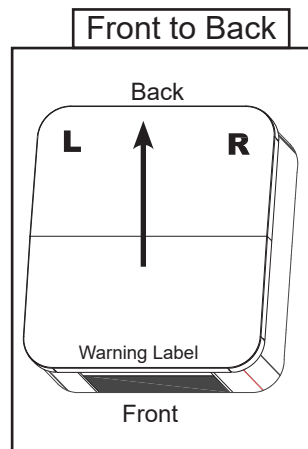


Figure 1.1



Figure 1.3

NOTE

The cover warning label must be facing the front of the spa on (Front to Back) configuration or the right side of spa on (Side to Side) configuration (Figure 1.1 and 1.2)

STEP 2 LOCATE PLATES

Every Watkins cover has 4 aluminum plates installed into the foam core hidden beneath the vinyl on sides of the cover. (Figure 1.4).

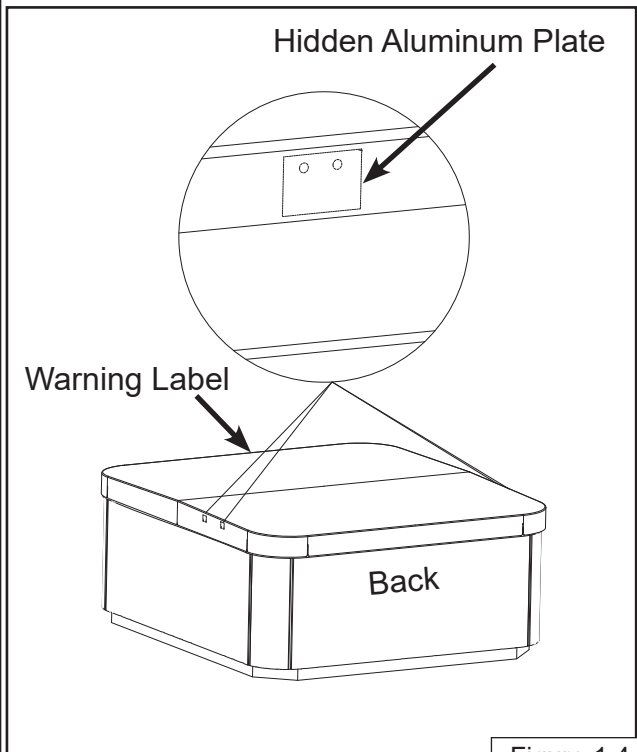


Figure 1.4

Only the hidden aluminum plate closest to the middle of the cover on each side is used for this cover lifter as well as the hidden aluminum plate closest to the back.

PROLIFT INSTALLATION

STEP 1 TEMPLATE PREPARATION

1. Locate the installation template that is included inside the cover lifter box.
2. Unfold the template and place on a flat surface (Figure 2.1).

NOTE Consider what side (Left or Right) the hardware will be installed first and turn the template to the correct side.

3. Locate the dashed lines on the template and fold downward (Figure 2.2).

WARNING!

The fold lines on the template should be made precise and directly on the dash lines to avoid drilling the holes in the incorrect location.

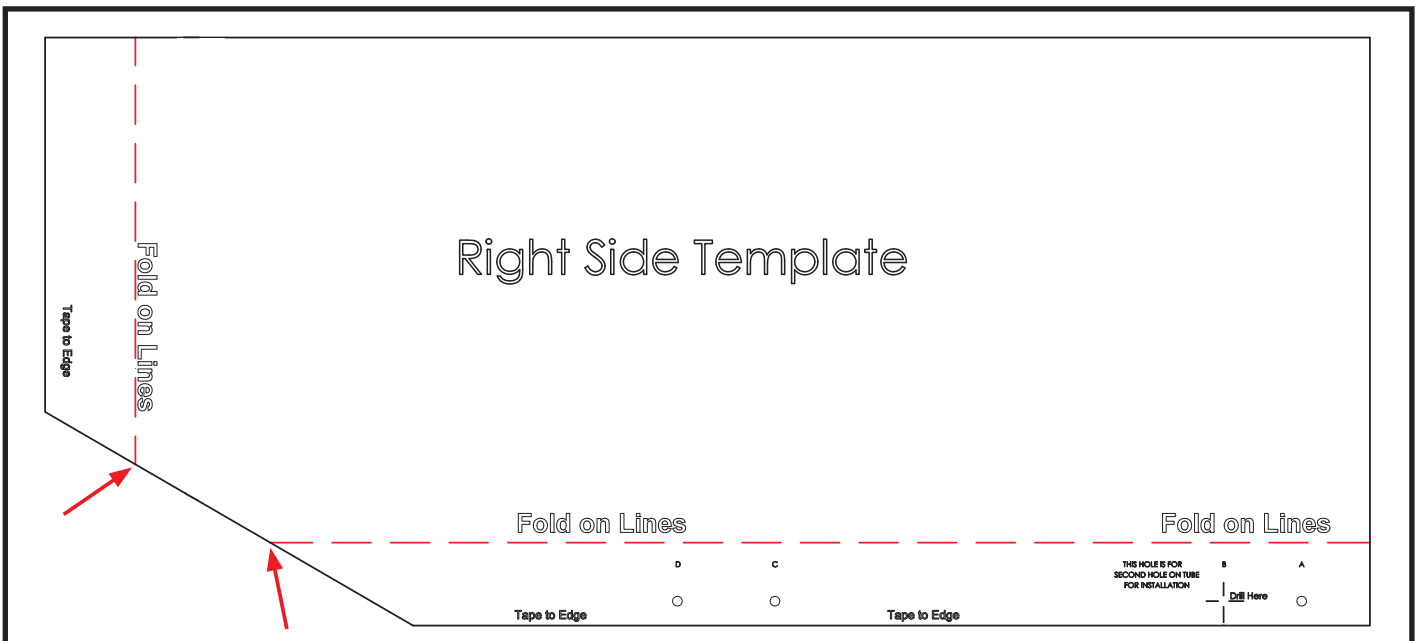


Figure 2.1

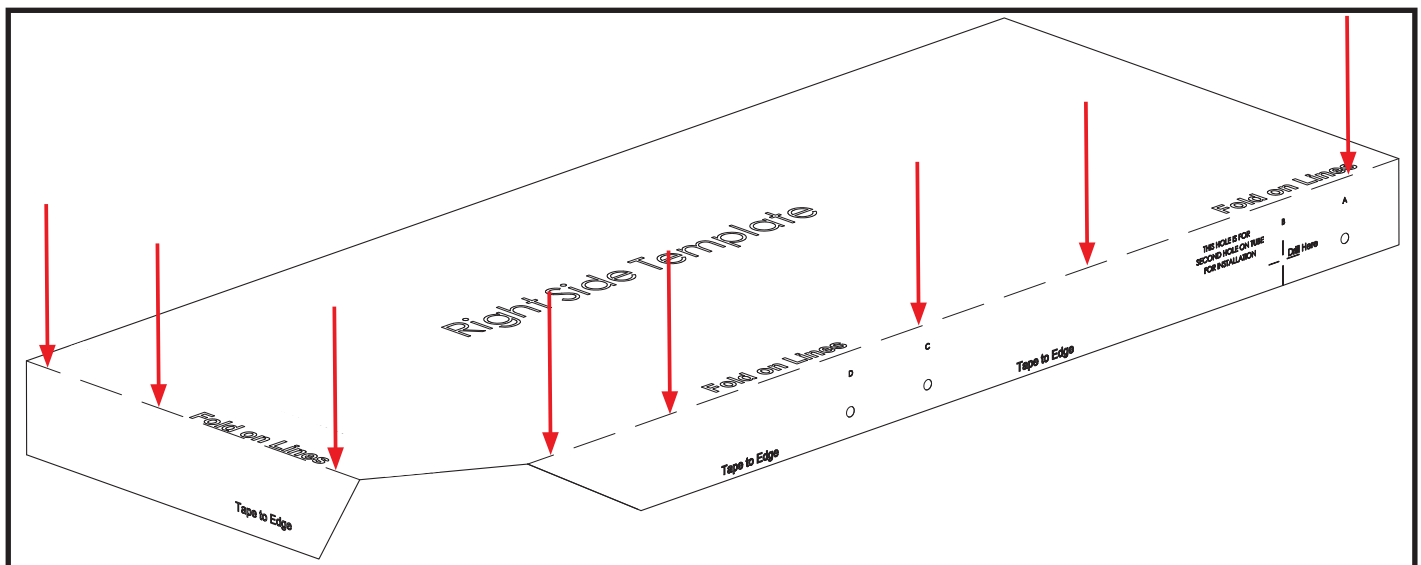


Figure 2.2

PROLIFT INSTALLATION

STEP 1 ATTACH ASSY. TUBE

1. Find Template (C) and unfold.
2. Place Template (C) on the Right side of the cover as shown with the side marked "Right Side Template" facing upward (Figure 3.1).
3. Fold the tabs of the template where marked and tape down to the rear and side of the spa cover (Figure 3.1).
4. Use a marker to mark all holes on cover as indicated on Template (C) (Figure 3.1).
5. Pre-drill holes on all previously marked locations with a 1/8" (3 mm) drill bit at a depth of 1/2" (12.5 mm) (Figure 3.1).

Remove Template (C) and repeat the procedure on the Left side of spa. Make sure the template is turned over and the side marked "Left Side Template" is facing up. Remove Template (C) when finished.

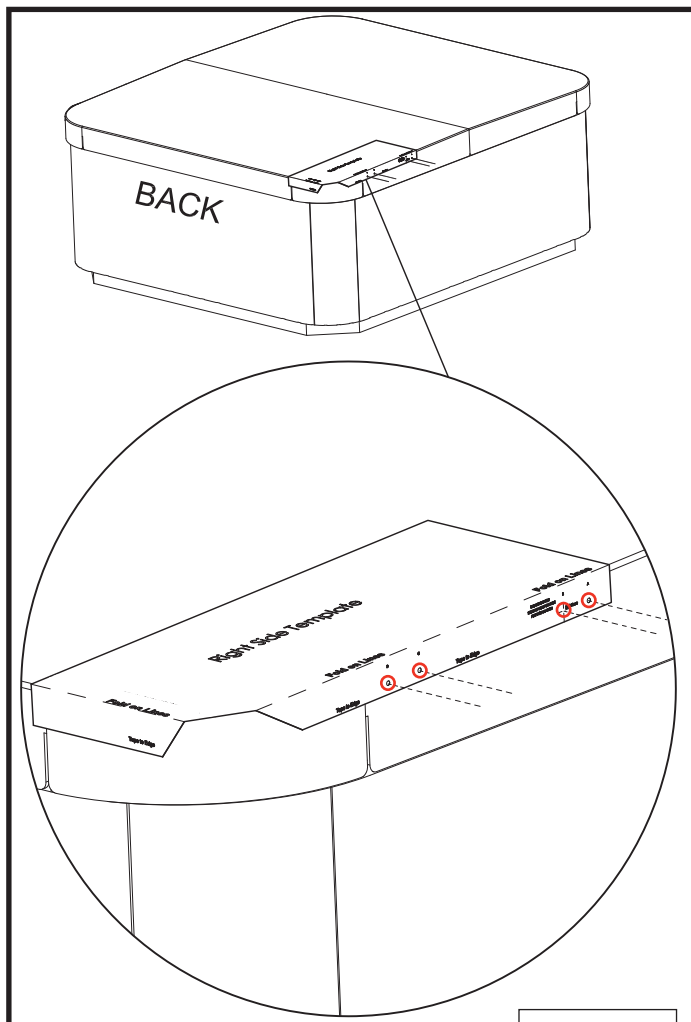


Figure 3.1

6. Align the holes on the Right Assy. Tube with pre-drilled holes on the cover (Figure 3.2).
7. While holding the Right Assy. Tube aligned with pre-drilled holes, use (4) 1½" Phillips pan head screws (D) found in Hardware Bag #1 to secure the Right Assy. Tube to the cover (Figure 3.2).

Repeat the procedure on the Left side of spa.

NOTE

Check that the cover is still aligned to spa and if needed, reference page 3. of this document for cover alignment.

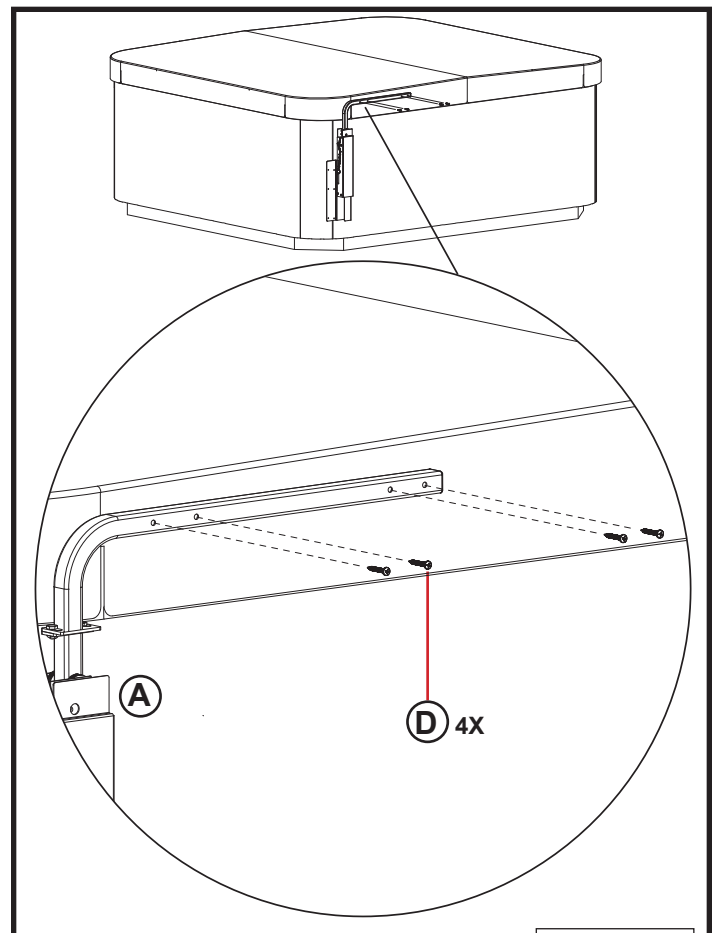


Figure 3.2

PROLIFT INSTALLATION

STEP 2 ATTACH MAIN ASSY. TO SPA CABINET

NOTE Two Technicians are recommended for the next procedure.

NOTE Loosen Adjusting Bracket before beginning procedure (Figure 4.1).

1. Slide Right Assy. into closed position and raise it until it is horizontal and flushed against spa cabinet (Figure 4.1).
2. Align Main Assy. with bottom edge of the bar top to make sure that the edges are parallel to each other (Figure 4.2).
3. While holding the main assembly in place, mark all (6) holes located on the bottom part of main assembly (Figure 4.3)
4. While holding the main assembly in place, drill all (6) marked holes using a 1/8" (3 mm) bit into the spa cabinet at a depth of 1/2" (12.5 mm) (Figure 4.3).

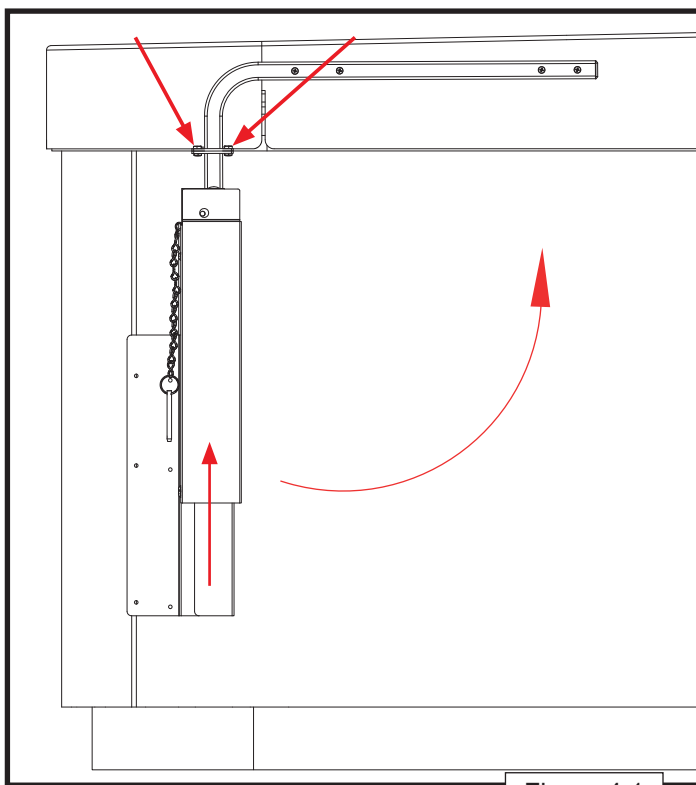


Figure 4.1

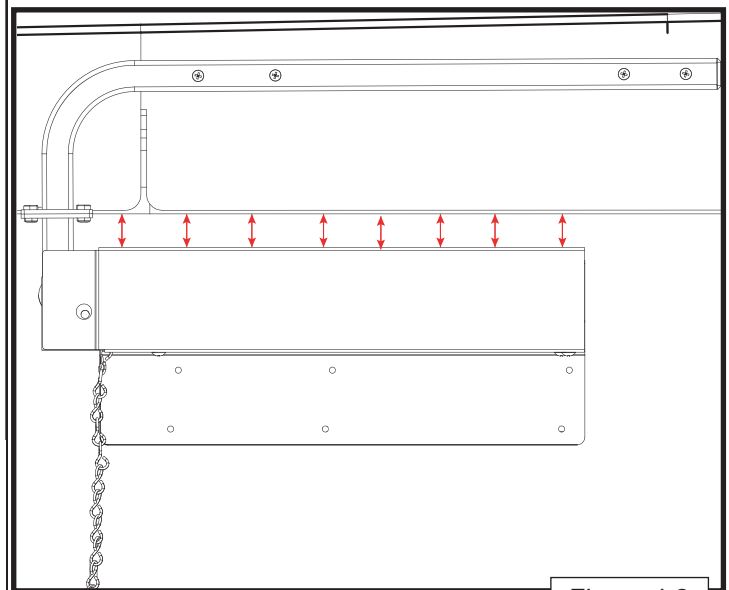


Figure 4.2

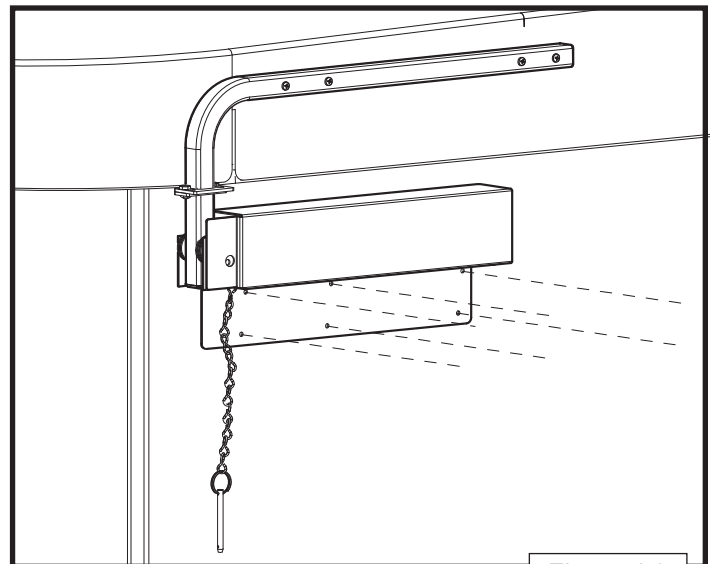


Figure 4.3

NOTE

Use the appropriate size screws to secure the brackets at the bottom part of the main assembly. Please use (Figure 4.4) and information on Page 6 of this document to determine the correct screw size.

PROLIFT INSTALLATION

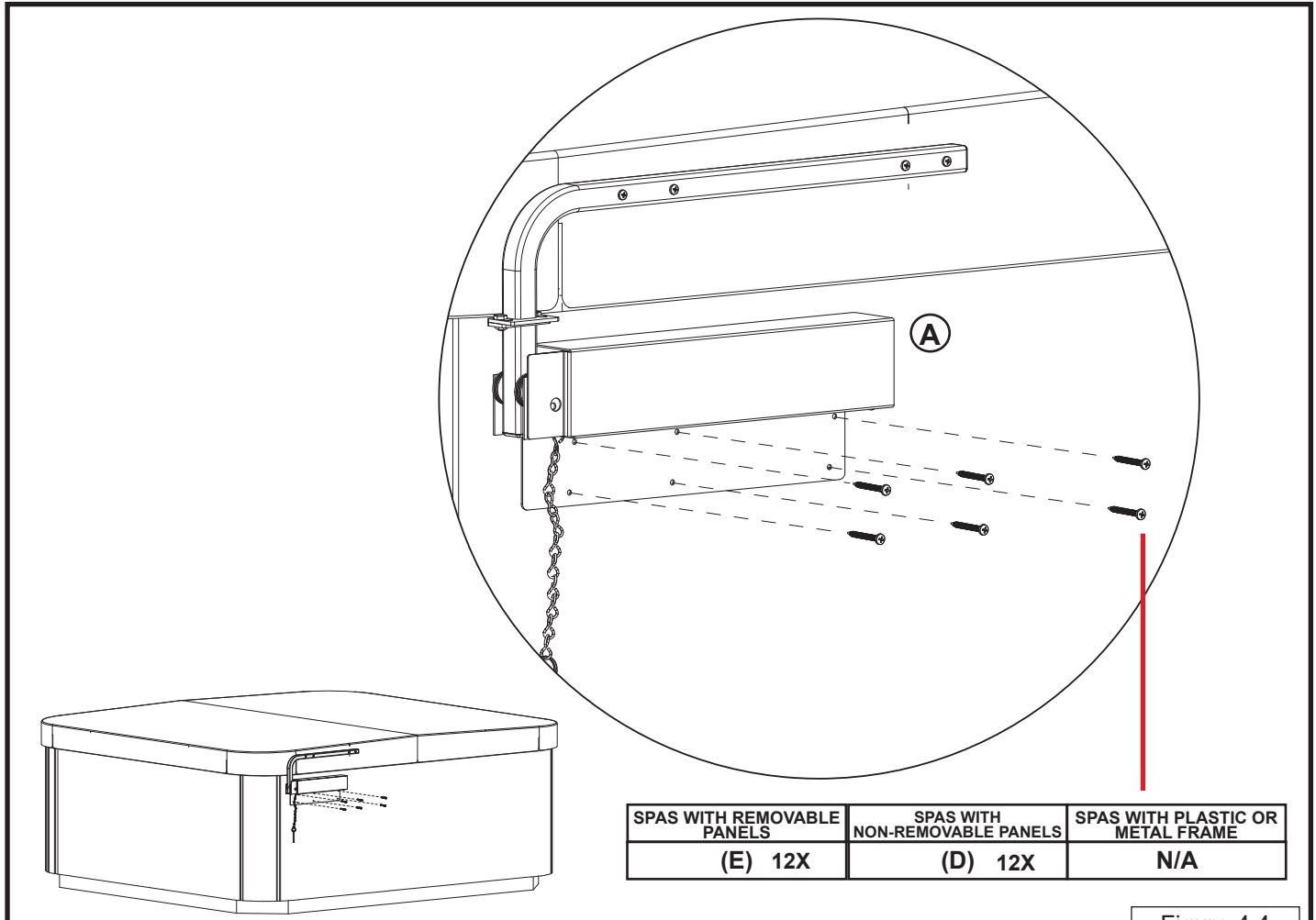


Figure 4.4

a. Spas with Removable Panels

- 5a. Secure the Main Assembly (A) to the spa cabinet using (6) of the Phillips Pan Head Screws per Main Assembly (Figure 4.4). You will be using the following bags: Bag # 2 (E) (#10 2½" screws) used on spas with removable panels.

NOTE Use drill bit extension if needed when attaching bracket.

Repeat this step on the Left Side of spa.

NOTE See Page 2 for important information on screw size compatibility.

b. Spas with Non-removable Panels

- 5b. Secure the Main Assembly (A) to the spa cabinet using (6) of the Phillips Pan Head Screws per Main Assembly (Figure 4.4). You will be using the following bags: Bag # 1 (D) (#10 1½" screws) used on spas with non-removable panels.

NOTE Use drill bit extension if needed when attaching bracket.

Repeat this step on the Left Side of spa.

NOTE See Page 2 for important information on screw size compatibility.

c. Spas with Plastic or Metal Frame

Not compatible.

PROLIFT INSTALLATION

STEP 3 ADJUSTING BRACKET

NOTE Before performing the next procedure, make sure Adjusting Bracket is loose on both left and right assemblies.

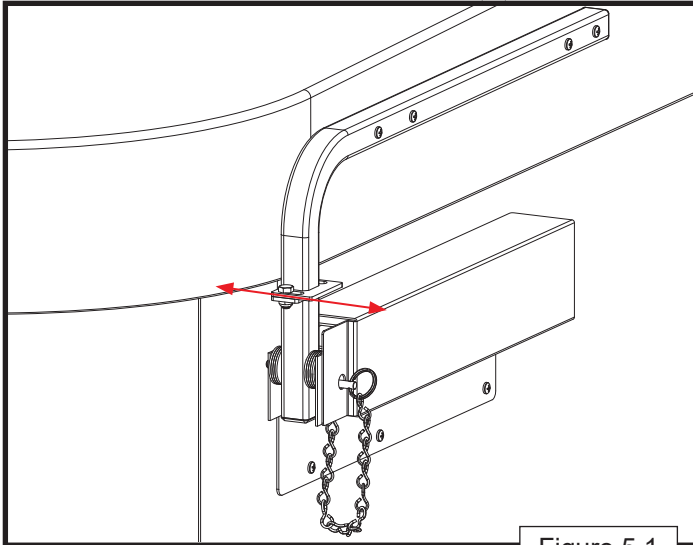


Figure 5.1

1. Space both sides of cover (Left and Right) evenly by moving the cover side to side until all sides are evenly spaced (Figure 5.1).
2. Tighten the nuts and bolts on Adjusting Bracket located on right and left assembly (Figure 5.2).

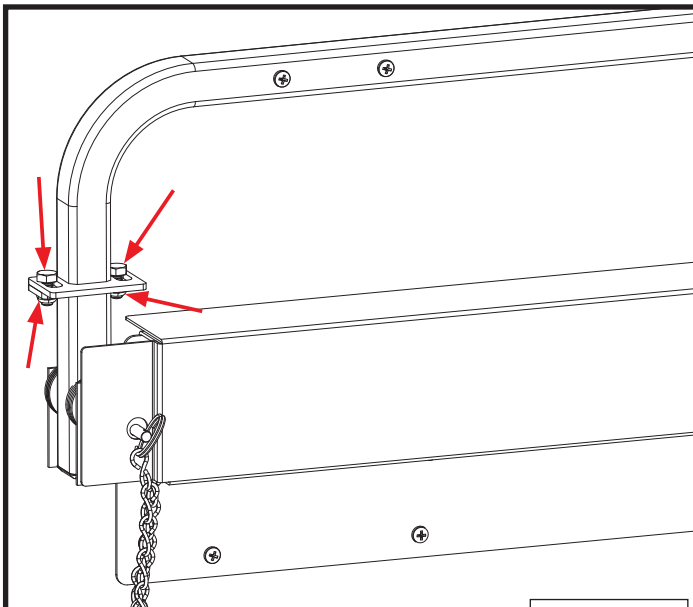


Figure 5.2

STEP 4 OPENING SPA COVER

NOTE When opening the spa cover, check to make sure that Locking Pin is not inserted in the Locking Pin hole.

1. Slightly lifting the front end of spa cover, slide the cover towards the back of the spa until it stops.
2. Fold the front half of the cover over the back half of the cover (Figure 6.1).

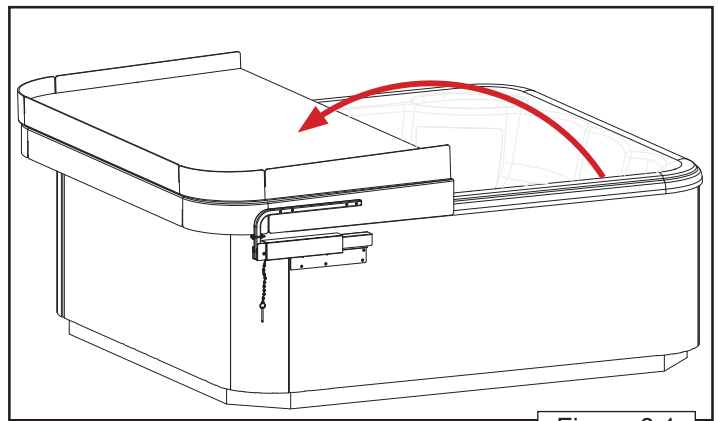


Figure 6.1

3. Lift the spa cover in to the full open position (Figure 6.2).

NOTE See Page 2 for important information on minimum side and back clearances.

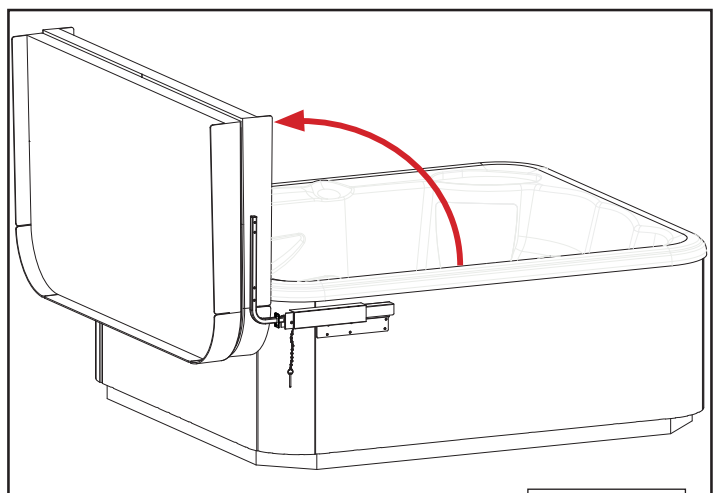


Figure 6.2

PROLIFT INSTALLATION

4. See (Figure 6.3) for correctly fully open position of your cover when ProLift cover lifter is installed correctly.
5. When spa cover is in full open position insert Locking Pin into hole located on the Main Assembly (Figure 6.4).

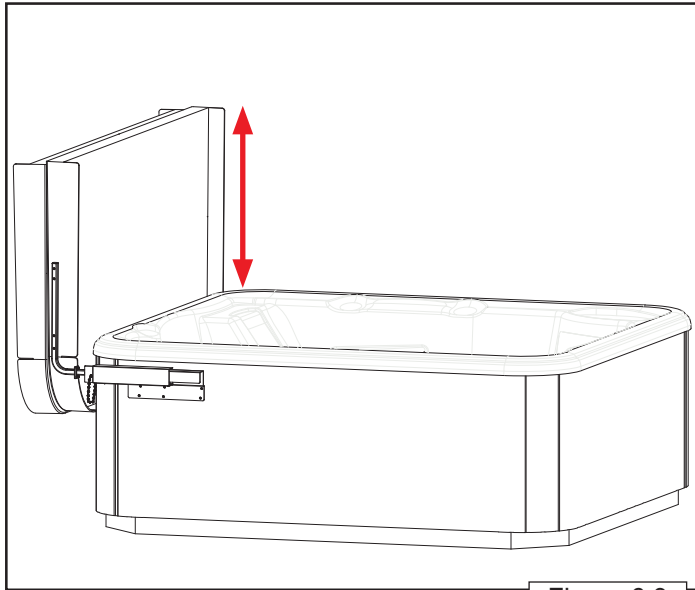


Figure 6.3

WARNING! RISK OF INJURY.

LOCKING PIN MUST BE INSERTED TO PREVENT THE COVER FROM ACCIDENTALLY CLOSING AND CAUSING INJURY (FIGURE 6.4).

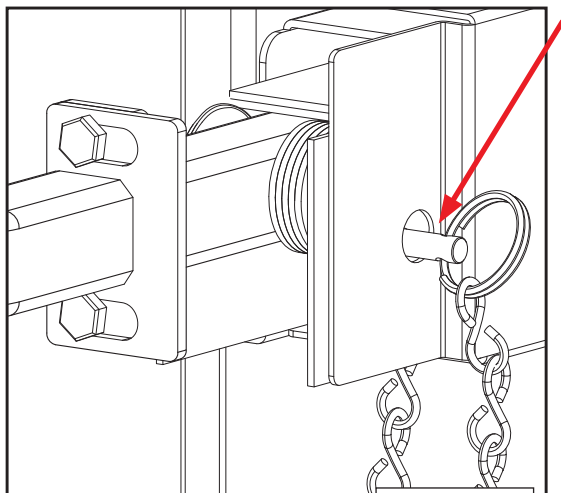


Figure 6.4

STEP 5 CLOSING SPA COVER

NOTE

Always “ease” the cover to the Open and Close Position to avoid “Slamming” thereby prolonging the service life of your cover.

1. Remove the Locking Pin, close the cover and unfold it towards the front of the spa to full close position.

Blank Page

Blank Page



WatkinsWellness®

Feel good. Live well.™