

Watkins Wellness®

INSTALLATION

Of your ProLift® IV Cover Lifter

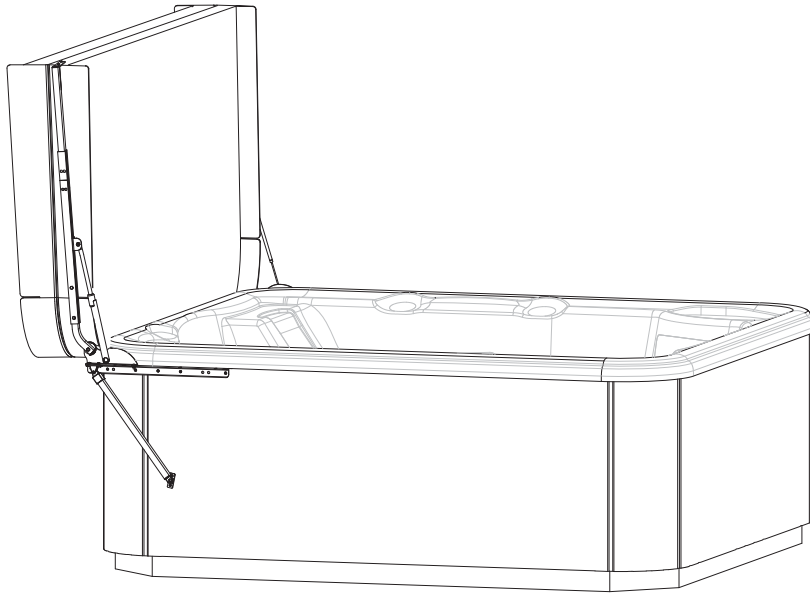


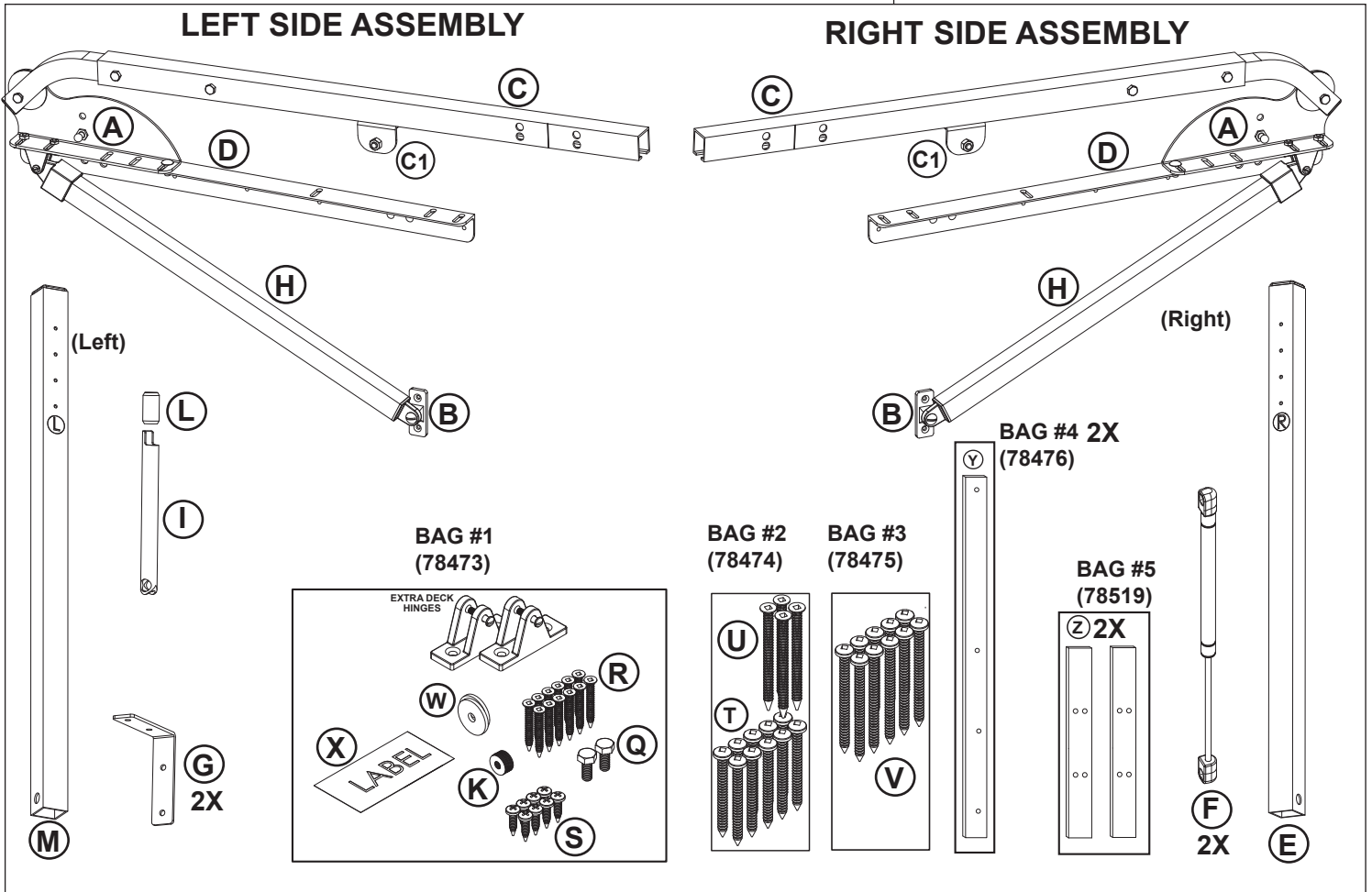
TABLE OF CONTENTS

INSTALLATION REQUIREMENTS1	COVER LIFTER INSTALLATION..... 8
KIT INCLUDES	ASSEMBLE EXTENSION TUBE ASSY.
INSTALLATION REQUIREMENTS2	ATTACH EXTENSION TUBE TO COVER
TOOLS REQUIRED	COVER LIFTER INSTALLATION..... 9
IMPORTANT INFORMATION	ATTACH SUPPORT TUBE TO CABINET
COVER LIFTER INSTALLATION REPARATION3	COVER LIFTER INSTALLATION..... 10
INSTALL PREPARATION	ATTACH GAS SPRING TO BASE BRACKET
LOCATE PLATES	COVER LIFTER INSTALLATION.....11
COVER LIFTER INSTALLATION.....5	LOCKING MECHANISM
ATTACH SIDE ASSY.	COVER LIFTER INSTALLATION..... 13
COVER LIFTER INSTALLATION.....7	COVER ANGLE ADJUSTMENT
ATTACH SIDE ASSY. CHANNEL	UTOPIA SPACER PROCEDURE 14
	SPACER INSTALLATION

INTENDED USE IN KITS # (76066)

INSTALLATION REQUIREMENTS










KIT INCLUDES



PART	QUANTITY	DESCRIPTION	PART	QUANTITY	DESCRIPTION
A	1	Base Bracket	L	1	Sure Lock Sleeve
B	1	Side Hinge	M	1	Extension Tube (Left)
C	1	Side Assembly Channel	Q	2	1/4-20 x5/8" Hex Bolt (Bag 1)
C1	1	Assy. Channel Ball Stud Bracket	R	12	#10 X 1 1/2" Square Flat Head (Bag 1)
D	1	Auxiliary Bracket	S	8	#10 X 1/2" Square Pan Head (Bag 1)
E	1	Extension Tube Right	T	10	#10 X 2" Square Pan Head (Bag 2) *
F	2	Gas Spring (60 LB)	U	4	#10 X 2" Square Flat Head (Bag 2)
G	2	Angle Bracket	V	10	#10 X 3" Square Pan Head (Bag 3) *
H	1	Support Tube	W	2	1/4" X 1" X 1/8" Thick Washer (Bag 1)
I	1	Gas Spring Lock	X	1	Orange Label (Bag 1)
* K	10	#10 Flat Washer (Bag 1)	Y	2	Spacer 0.75" x 1" x 17" Spacer(Bag 4)
* N/A	2	EXTRA DECK HINGES W/ SLOTTED BOLTS	Z	2	Spacer 0.25" x 1.25" x 9" Spacer(Bag 5)

INSTALLATION REQUIREMENTS

TOOLS REQUIRED

<p>Cordless Drill</p> 	<p>Flat Head Screwdriver</p> 	<p>7/16" Socket with Ratchet</p> 	<p>Safety Glasses</p> 	<p>#2 Square Drive Bit</p> 
<p>1/8" a Drill Bit 3.175mm</p> 	<p>Fine Tip Marker</p> 	<p>1/2" Wrench</p> 	<p>7/16" Wrench</p> 	<p>Straight Edge Ruler 24" - 36"</p> 

IMPORTANT INFORMATION

- **Two technicians are recommended for installation.**
- Read all of the instructions thoroughly before performing this installation.
- There must be a minimum of 7" clearance between the wall and the retracting side of the spa for cover to operate properly and 3" on each side for Side Arm clearance.
- NOTE: Consider spa cover wind skirt length when considering installation of cover lifter.
- The Warning Label is always on the front of the cover; the lifter will attach on either the back side of the spa or the left side of spa depending on cover configuration.
- On Endless Pools models the lifter will attach on either the back or front of spa.
- To ensure that the cover seals correctly, the spa must be leveled.

PROLIFT IV COVER LIFTER INSTALLATION PREPARATION

STEP 1 COVER ALIGNMENT

a. Spa Cover Alignment

- 1a. Refer to (Figure 1.1) for the Left and Right cover lifter set orientation for (Front to Back) cover configuration:
 - On a (Front to Back) cover configuration, the Left and Right cover lifter set will attach on back side of spa (Figure 1.1).
 - The cover will fold toward the back side of spa.
- 2a. Refer to (Figure 1.2) for the Left and Right cover lifter set orientation for (Side to Side) cover configuration:
 - On a (Side to Side) cover configuration, the Left and Right cover lifter set will attach on left side of spa (Figure 1.2).
 - The cover will fold toward the left side of spa.

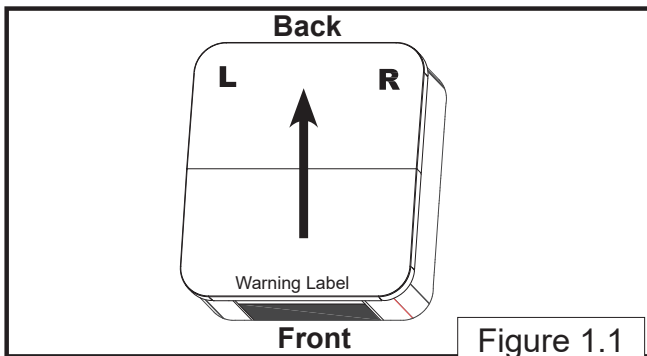


Figure 1.1

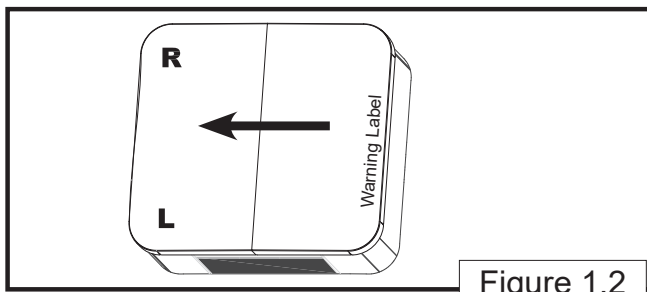


Figure 1.2

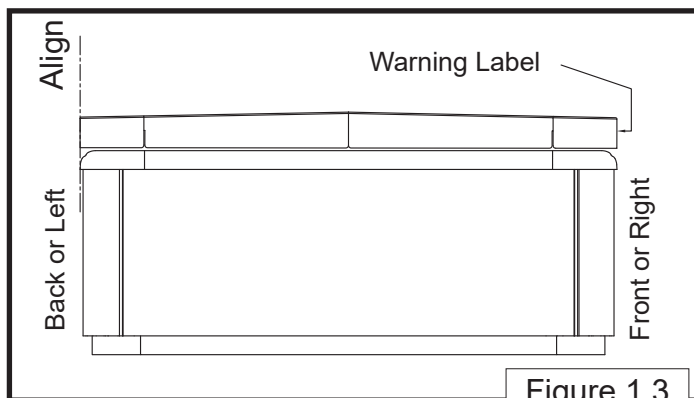


Figure 1.3

b. Endless Pools Cover Alignment

- 1b. Refer to (Figure 1.3) for the Left and Right cover lifter set orientation:
 - The cover lifter set can be attached on both the front or back of Endless Pool.
 - The cover will fold from the middle towards each end (either the back or the front) (Figure 1.5).

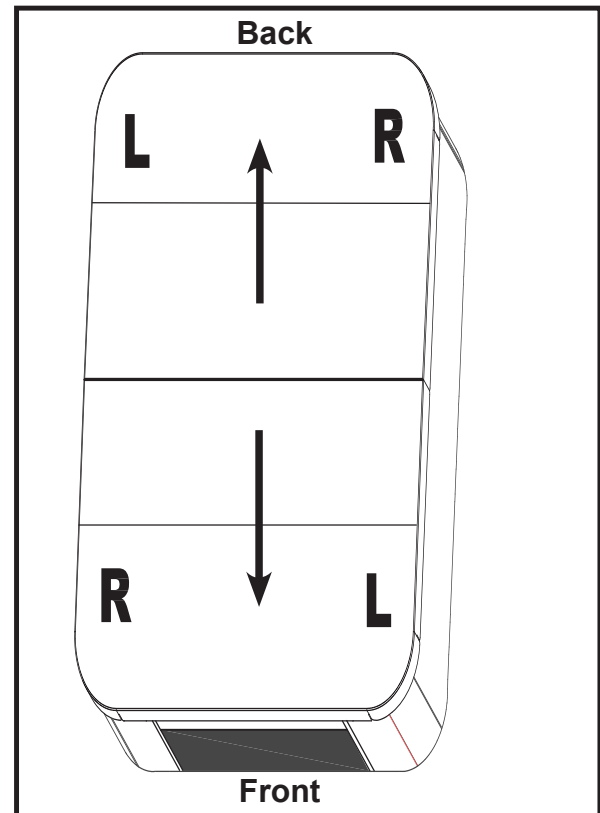


Figure 1.4

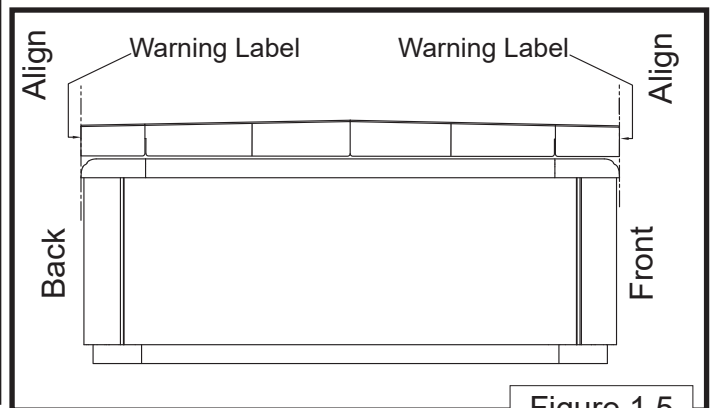


Figure 1.5

PROLIFT IV COVER LIFTER INSTALLATION PREPARATION

- 3a. Position the cover evenly on all spa sides. See (Figure 1.3).
- 2b. Position the cover evenly on all EP swim pool sides. See (Figure 1.5).

STEP 2 LOCATE PLATES

- 1a. Watkins covers have 4 aluminum plates installed into the foam core hidden beneath the vinyl on the sides of the cover. There are two on each side of the cover set (Figure 1.6). Use the Aluminum Plates that are located close to the center of spa.
- 1b. EP models use two covers sets. There are two aluminum plates on each side of the cover set (Figure 1.7). Use the Aluminum Plates that are located close to center the cover set (Figure 1.7).

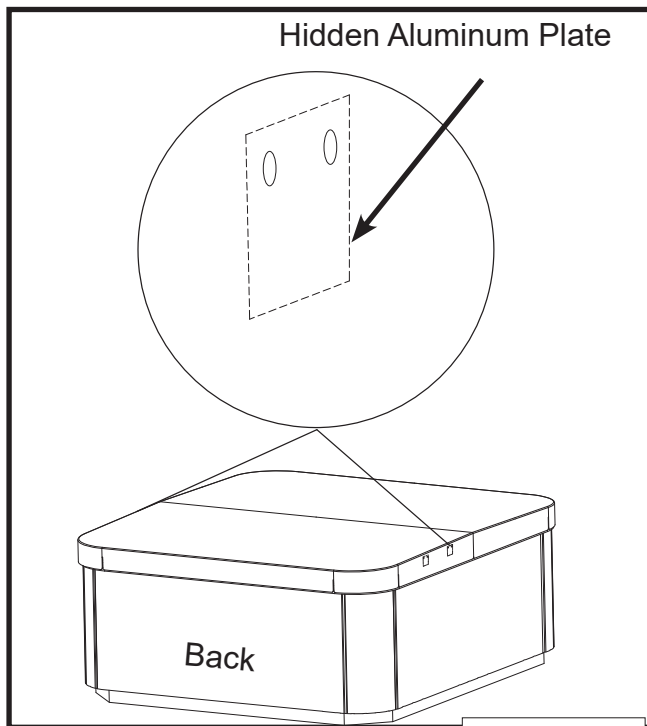


Figure 1.6

2. Using your finger to locate the aluminum plate illustrated by a square, ((Figure 1.6) for spas and (Figure 1.7) for Endless Pools), mark the line in between the two pre-drilled holes behind the vinyl for later reference.

Repeat this step on the Right side of cover.

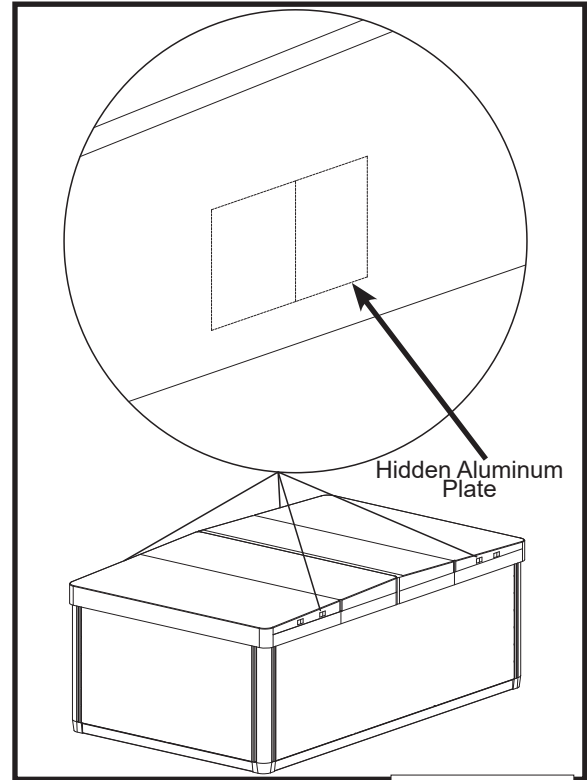


Figure 1.7

STEP 3 BASE BRACKET TO AUXILIARY BRACKET

1. Loosen the (3) screws that hold the Base Bracket (A) to Auxiliary Bracket (D) (Figure 1.8). Do this to both Left and Right Side Assembly.

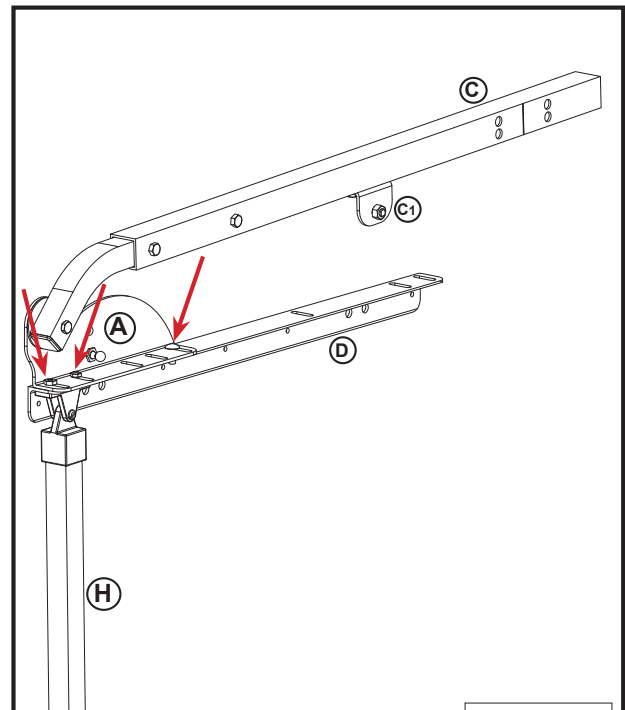


Figure 1.8

PROLIFT IV COVER LIFTER INSTALLATION

STEP 1 ATTACH SIDE ASSY

1. Align (Left Side Assembly) against the lip of the Spa Shell, making sure to align the Scribe on (Side Assembly Channel (C)) with line traced on top the aluminum plate (Figure 2.1)

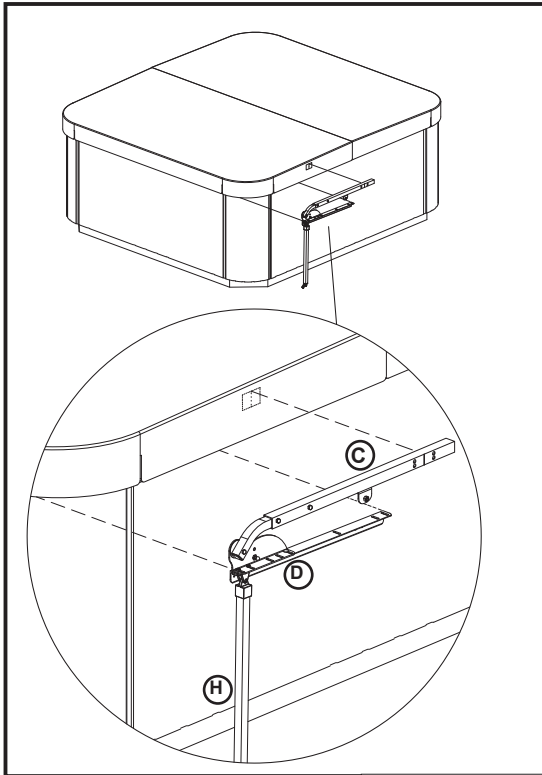


Figure 2.1

2. Place a straight edge ruler under the spa shell lip on the back-left part of the spa. Align the back of the Auxiliary Bracket (D) with the straight edge ruler (Figure 2.2).
3. While holding in place the straight edge ruler aligned with the back side of Auxiliary Bracket (D) and using the small holes on the Auxiliary Bracket (D), mark (4) holes. Mark the holes starting from the hole pointing toward the middle of the spa, working your way towards the edge of the spa (Figure 2.2).

a. Spa pre-drill depth

- 4a. Using the marks made on the spa cabinet on previous step, drill 1/8" (3mm) holes at a depth of 1/2" (12.5 mm) max into spa cabinet (Figure 2.2).

b. Endless Pools pre-drill depth

- 4b. Using the marks made on the spa cabinet on previous step, drill 1/8" (3mm) holes at a depth of 1" (25 mm) max into Endless Pools cabinet (Figure 2.2).

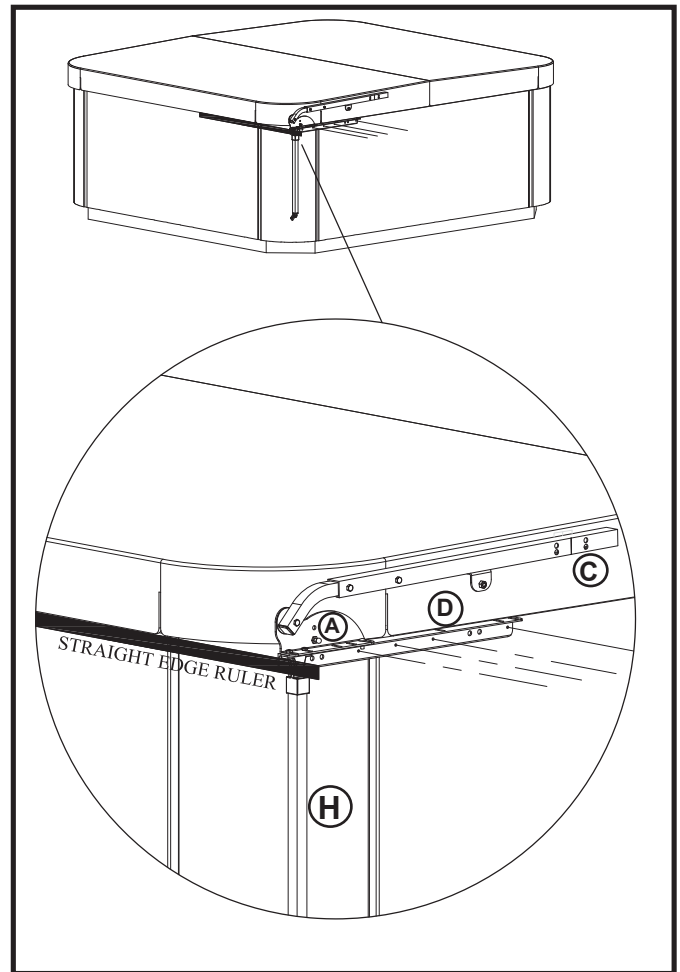


Figure 2.2

NOTE

Spacers (Y) will be required in the following steps. Spacers (Y) are provided in Bag #4.

NOTE

All spacers come with pre-drilled holes

PROLIFT IV COVER LIFTER INSTALLATION

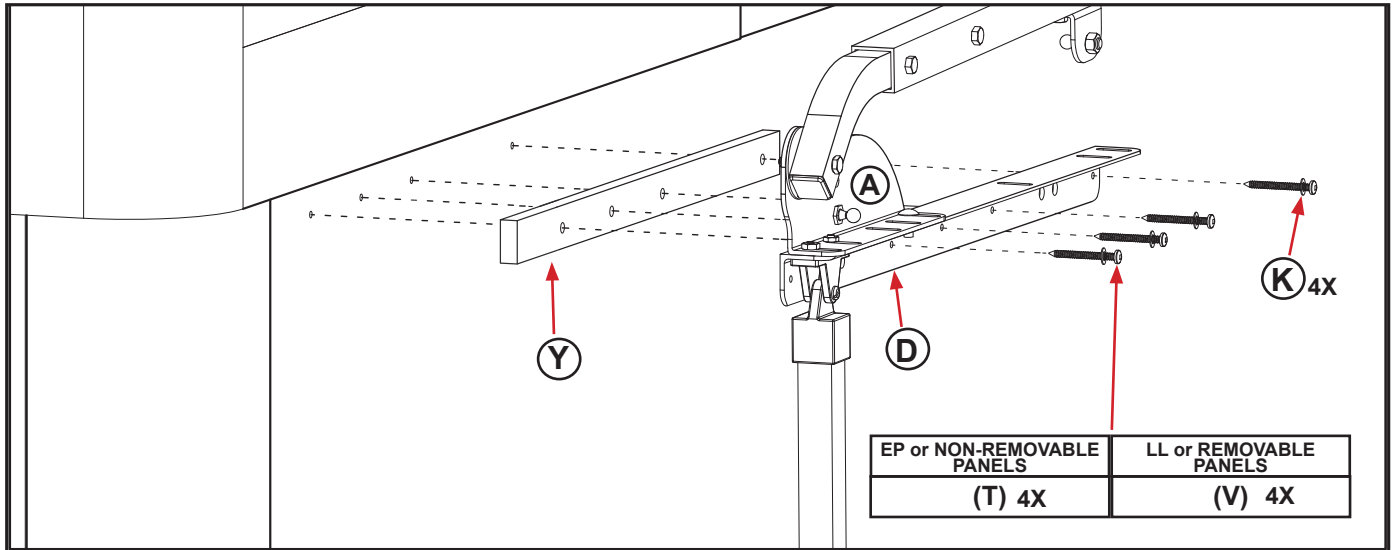


Figure 2.3

a. Endless Pools or Non-Removable Panels

- 5a. Align the Spacer (Y) and Auxiliary Bracket (D) by making sure that the Auxiliary Bracket holes are aligned with holes on Spacer (Y) (Figure 2.3).
- 6a. Making sure that the Spacer (Y) is aligned between cabinet and Auxiliary Bracket (D), secure Auxiliary Bracket (D) and Spacer (Y) to spa cabinet using (4) 2" Pan Head Screws (T) in Bag #2 and (4) #10 Washers (K) in Bag #1 (Figure 2.3).

TIP

Secure one screw into spa cabinet to help hold the Auxiliary Bracket in place, while the rest of the screws are secured to the cabinet.

NOTE

Reference service portal to determine if spa has removable panels.

Repeat this step on the Right side of cover.

b. LimeLight or Removable Panels

- 5b. Align the Spacer (Y) and Auxiliary Bracket (D) by making sure that the Auxiliary Bracket holes are aligned with holes on Spacer (Y) (Figure 2.3).
- 6b. Making sure that the Spacer (Y) is aligned between cabinet and Auxiliary Bracket (D), secure Auxiliary Bracket (D) and Spacer (Y) to spa cabinet using (4) 3" Pan Head Screws (V) in Bag #3 and (4) #10 Washers (K) in Bag #1 (Figure 2.3).

TIP

Secure one screw into spa cabinet to help hold the Auxiliary Bracket in place, while the rest of the screws are secured to the cabinet.

NOTE

Reference service portal to determine if spa has removable panels.

Repeat this step on the Right side of cover.

PROLIFT IV COVER LIFTER INSTALLATION

STEP 2 ATTACH SIDE ASSY. CHANNEL

1. Locate previously mark made over the aluminum plates of the side of the cover set. Align mark on the side Side Assembly Channel (C) to the mark made on the side of the cover set (Figure 3.1).
2. Using the (4) holes on the side Assembly Channel as a template, mark the location of the (4) holes (Figure 3.1).

NOTE All (4) holes must be positioned over the aluminum plate, which is located under the Vinyl.

3. Pre-Drill holes 1/8" (3mm) by 1/2" (12.5 mm) max depth (Figure 3.1).

NOTE Spacers (Z) will be required in the following steps. Spacers (Z) are provided in Bag #5.

NOTE All spacers come with pre-drilled holes

4. Make sure to align Channel (C) and Spacer (Z), secure Side Assembly Channel (C) to cover set using (4) 1-1/2" Flat Head Screws located in Bag #1 (Figure 3.1) Make sure screws are seated completely into the countersunk holes of the Side Assembly Channel (C)

Repeat this step on the Right side of cover.

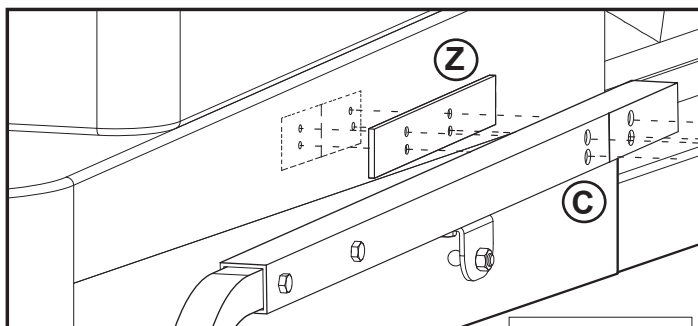


Figure 3.1

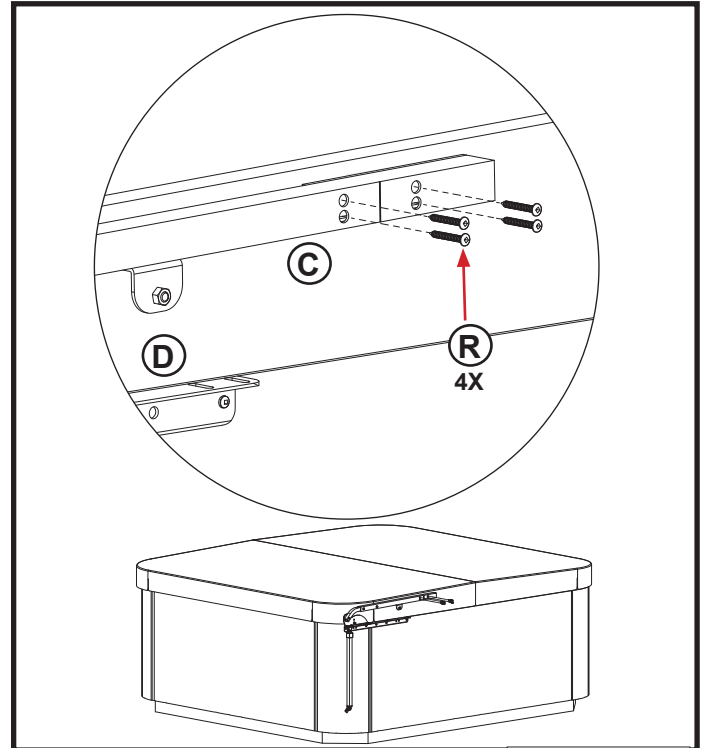


Figure 3.2

STEP 3 ATTACH EXTENSION TUBE TO COVER

1. Locate both Right Extension Tube (E) and Left Extension Tube (M). Assemble Extension Tubes and Angle Brackets as shown in (Figure 4.1).

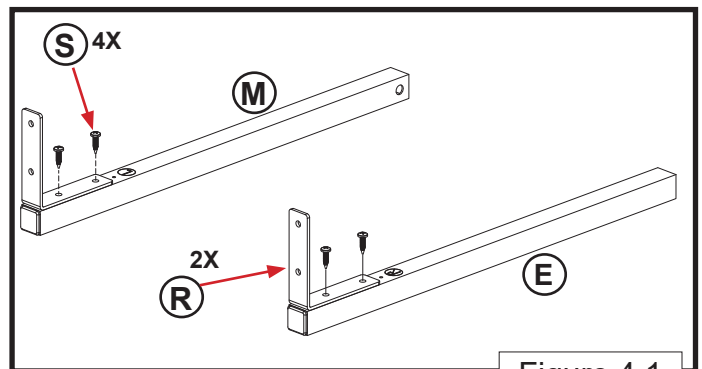


Figure 4.1

2. Locate the (Left) Extension Tube Assembly (Green dot = Left, Red dot = Right)
3. Slide the (Left) Extension Tube Assembly into the Side Assembly Channel (C) (Figure 4.1).

PROLIFT IV COVER LIFTER INSTALLATION

NOTE

If the Extension tube does not easily slide into the Side Assembly Channel, check the Side Assembly Channel mounting screws for interference.

WARNING! RISK OF INJURY.

CLEAN ALL FINE METALLIC CHIPS THAT FALL OUT OF PRE-DRILLED HOLES.

When pre-drilling holes, clean up all metal chips that may come out of holes. If not cleaned these metal chips can go into the water and cause injury.

NOTE

Make sure that the cover set is folded in half before starting this next step.

- Slide Extension Tube Assy.(M) into Side Assembly Channel until Angle Bracket (R) is flush against the cover as shown in (Figure 4.3).
- With Angle Bracket (R) flush against the cover, mark and pre-drill holes 1/8" (3mm) by 1/8"(3mm) deep (2 holes) into the cover using the Angle Bracket (R) as a template as shown in (Figure 4.3).
- Secure Angle Bracket (R) to cover using (2) of the Pan Head Screws (Figure 4.4). Bag #1 (S) (#10 1/2" Pan Head screws).

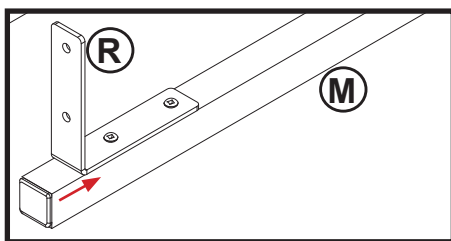


Figure 4.2

NOTE

If a gap exist between cover and Angle Bracket (R), reposition the Angle Bracket on both Left and Right Extension Tube Assemblies as see in (Figure 4.2).

- Tighten the 1/4" Hex Head Bolt (Q) and Washer (W) with 7/16" wrench below the Side Assembly Channel (C) to secure the Extension Tube (M) to the Side Assembly Channel (C). See (Figure 4.4).

Repeat this step on the Right side of cover.

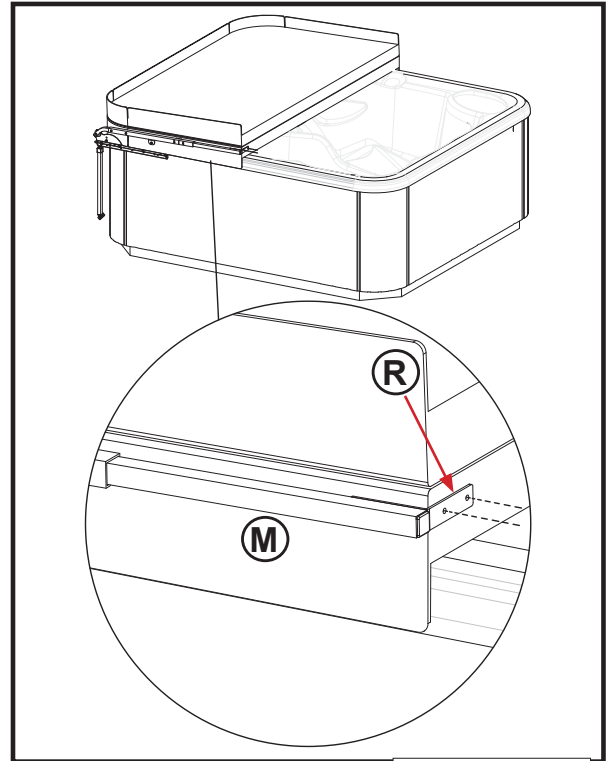


Figure 4.3

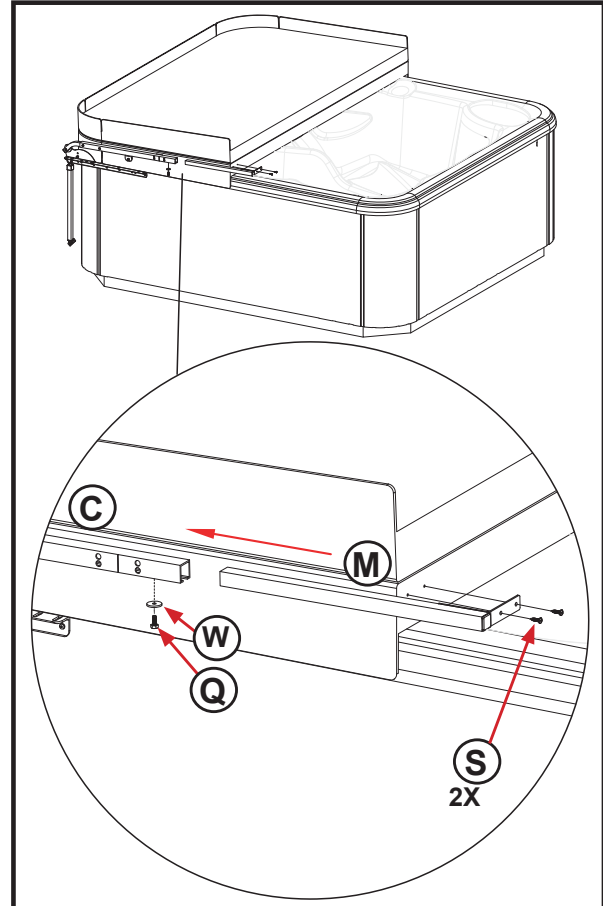


Figure 4.4

PROLIFT IV COVER LIFTER INSTALLATION

STEP 4 BASE BRACKET AND AUXILIARY BRACKET

1. After both sides of cover (Left and Right) are spaced evenly side to side, tighten the (3) screws that hold the Base Bracket (A) to Auxiliary Bracket (D) (Figure 5.1).

Repeat this step on Left and right side of cover.

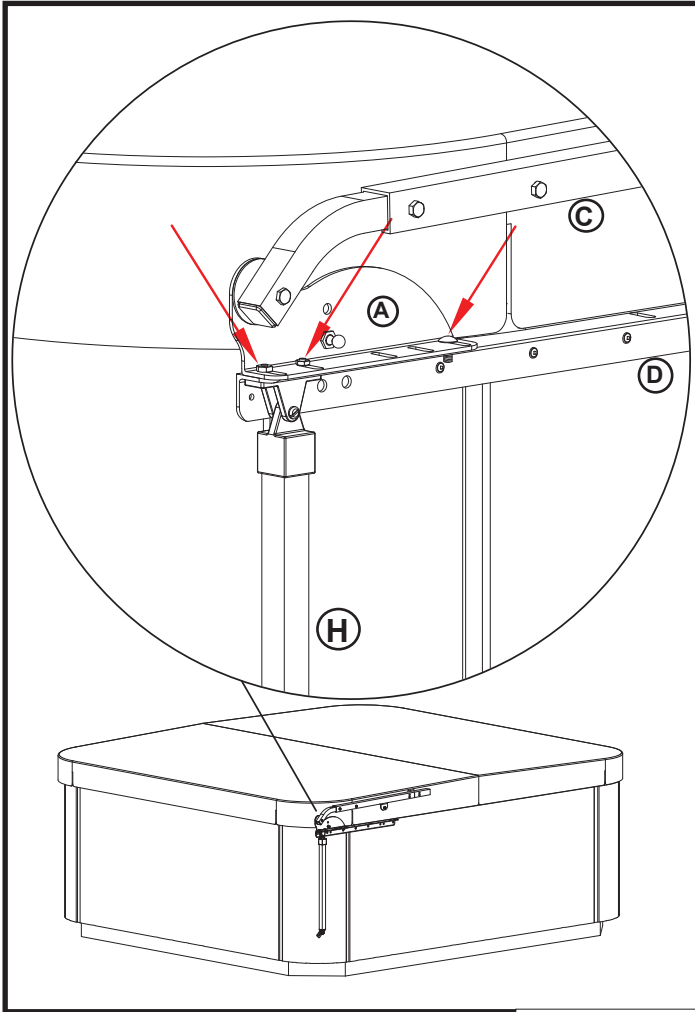


Figure 5.1

STEP 5 ATTACH SUPPORT TUBE TO CABINET

NOTE

All Utopia models made from 2016 to current, use a spacer between Side Hinge and spa cabinet. If you are installing this cover lifter on a 2016 or current Utopia go to page 14 of this document for the support tube attachment procedure.

1. Swing the Support Tube (H) forward until the distance from the bottom of the Auxiliary Bracket (D) to the top of the Side Hinge (B) is approximately (16") (Figure 6.1).

NOTE

The 16" Location may place the Side Pivot Bracket (B) on a wood seam. Move the Support Tube (H) slightly in either direction if this condition exists.

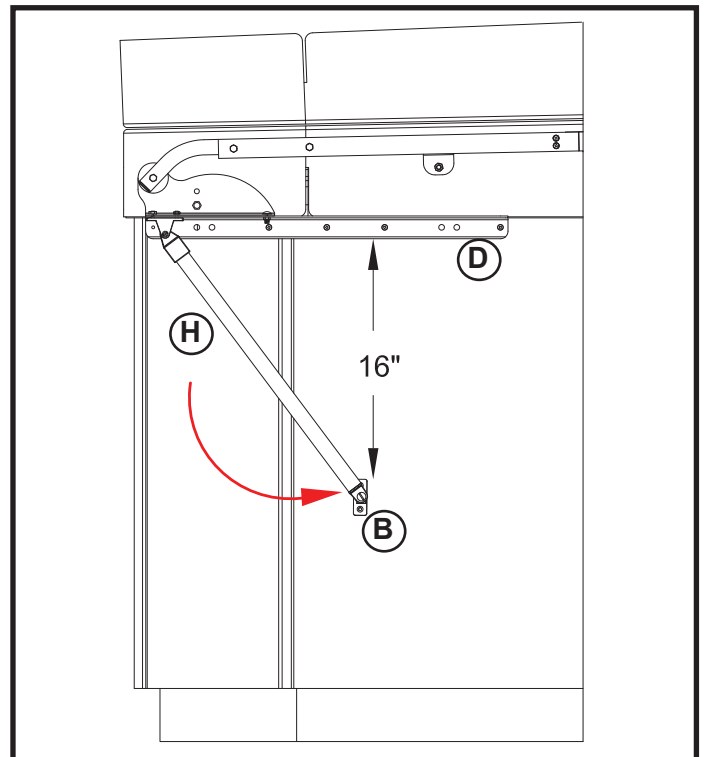


Figure 6.1

2. Using the Side Hinge (B) as a template, mark the two holes on the side of the spa cabinet (Figure 6.2).
3. Drill the two marked holes using a 1/8" (3mm) bit with approximately 1/2" (12.5 mm) maximum depth (Figure 6.2).

PROLIFT IV COVER LIFTER INSTALLATION

4. Attach the Side Hinge to the side of the spa cabinet using (2) 2" Flat Head Screws (Figure 6.2). Bag # 2 (U) (#10 2" Flat Head screws).

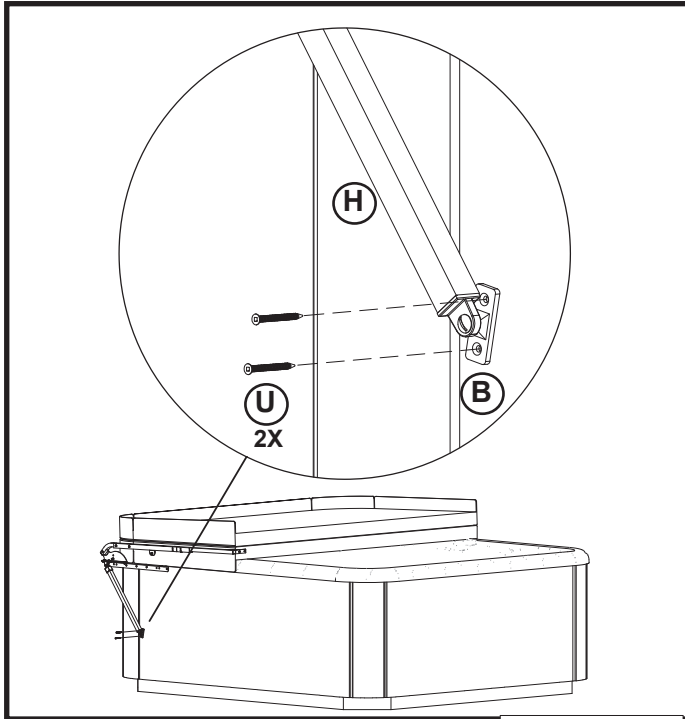


Figure 6.2

5. Tighten the screw that fastens the Support Tube (H) to the Deck Hinge and the screw that Fastens the Support Tube (H) to the Side Hinge Figure 6.3)

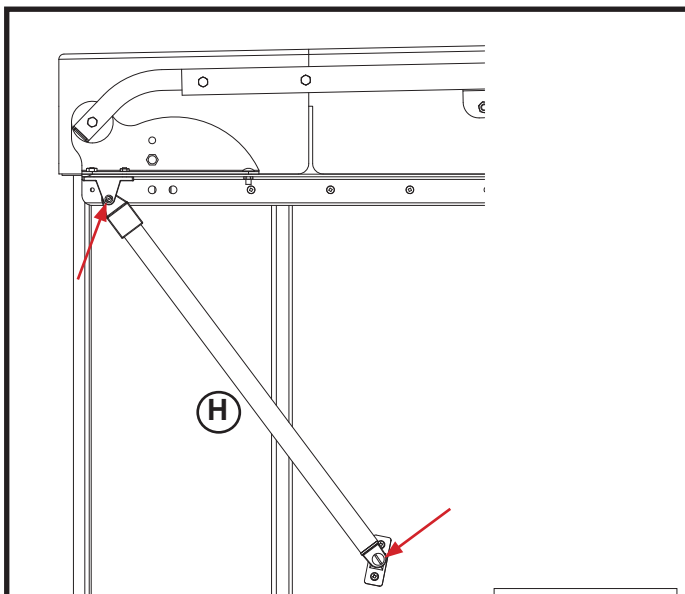


Figure 6.3

Repeat this step on the Right side of cover.

STEP 6

ATTACH GAS SPRING TO LIFTER

NOTE

Determining which side of the spa (LEFT or Right) you will use to open and close the cover is important before you begin this step. It is important because the Installation of the Gas Spring Lock will be on that side.

WARNING! RISK OF INJURY.

DO NOT ATTEMPT TO CLOSE COVER WITH ONLY ONE GAS SPRING ATTACHED. Operation with Only one Gas Spring attached can damage cover, will cause components to break and could cause injury to installer and others nearby.

1. Position the Gas Spring Lock (I) and Sure Lock Sleeve (L) over the small rod end of the Gas Spring (F) with the tab of the lock on top (Figure 7.1)

NOTE

When placing the Gas Spring Lock, keep in mind that the tab on the lock must always be positioned to the side closest to the spa cover.

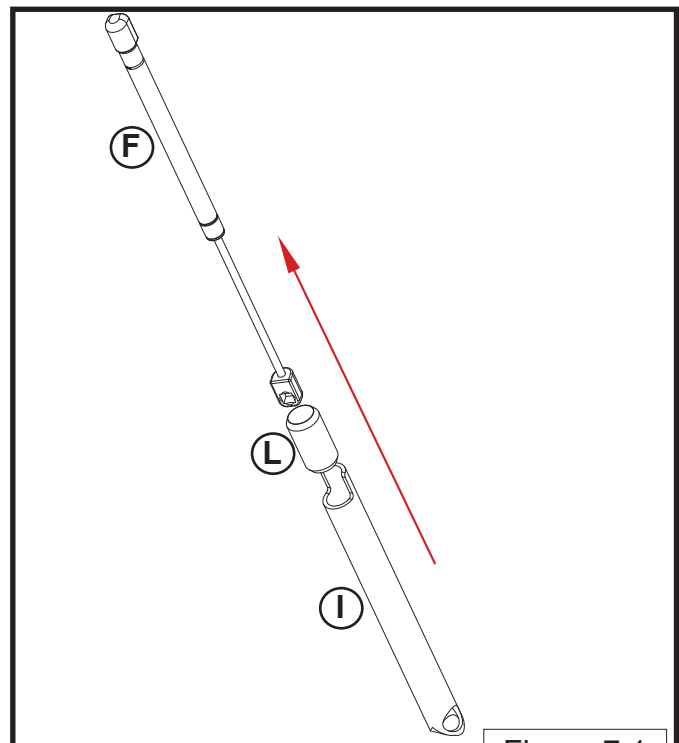


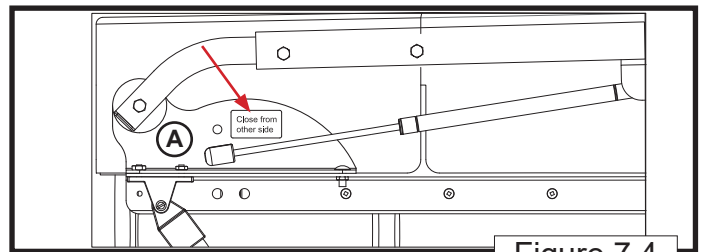
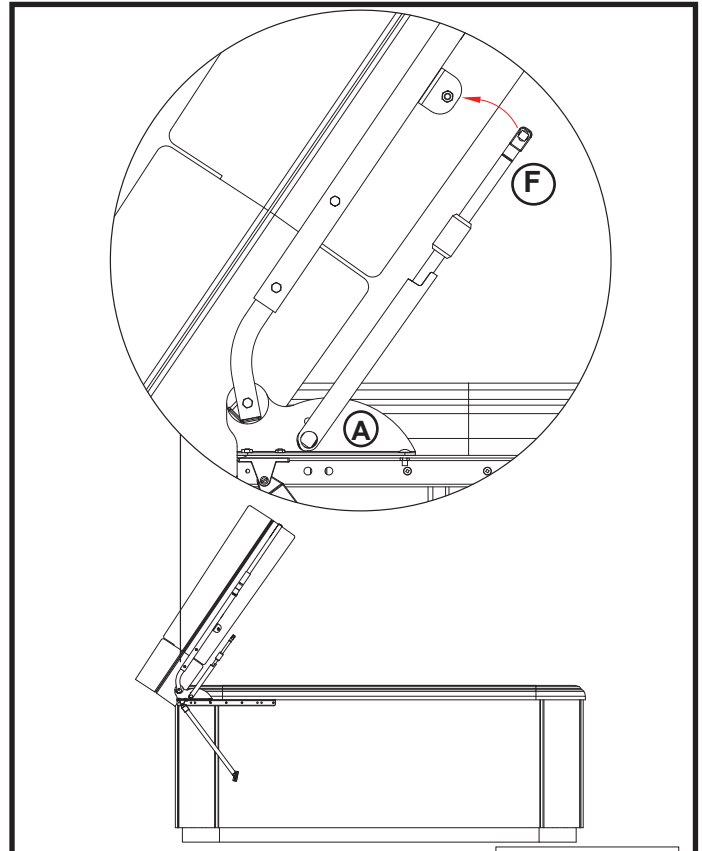
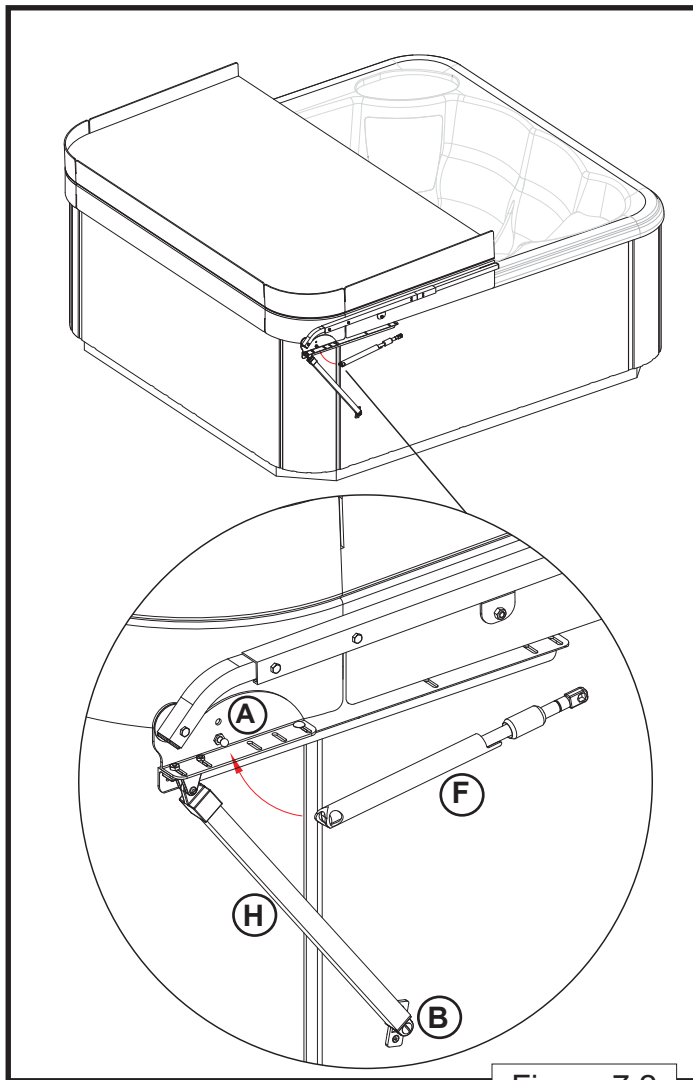
Figure 7.1

PROLIFT IV COVER LIFTER INSTALLATION

2. With the cover closed, snap the Gas Spring Lock end of the Gas Spring onto the lower ball stud (which is on the Base Bracket (A) (Figure 7.2).
3. Open Cover and align the upper ball stud with the larger end of the Gas Spring (F) and snap into place (Figure 7.3).

Repeat these steps(Excluding Gas Spring Lock) on the Right side of cover.

4. When installing the Gas Spring, make sure you install Gas Spring with the larger end up and the rod end down.
5. Place the orange sticker label(Located in Bag #1) that reads “**Close from other side**”on the Base Bracket (A), above the non-locking Gas Spring (Figure 7.4).



STEP 7 LOCKING MECHANISM

The Sure lock Sleeve (L) slides along the top of the Gas Spring (F) when it is in free-sliding position (Figure 8.1)

When the cover is open in the vertical position, the Sure-Lock Sleeve will slide down the Gas Spring (F) and rest on the top of the Gas Spring Lock (I) in a locking position (Figure 8.2).

The locking position of the Sure-Lock Sleeve (L) prevents the Gas Spring (F) from closing. To unlock, simply raise the Sure-Lock Sleeve (L) above the Gas Spring Lock (I), and push the top of the Gas Spring Lock (I) forward while gently easing the cover down to the closed position.

PROLIFT IV COVER LIFTER INSTALLATION

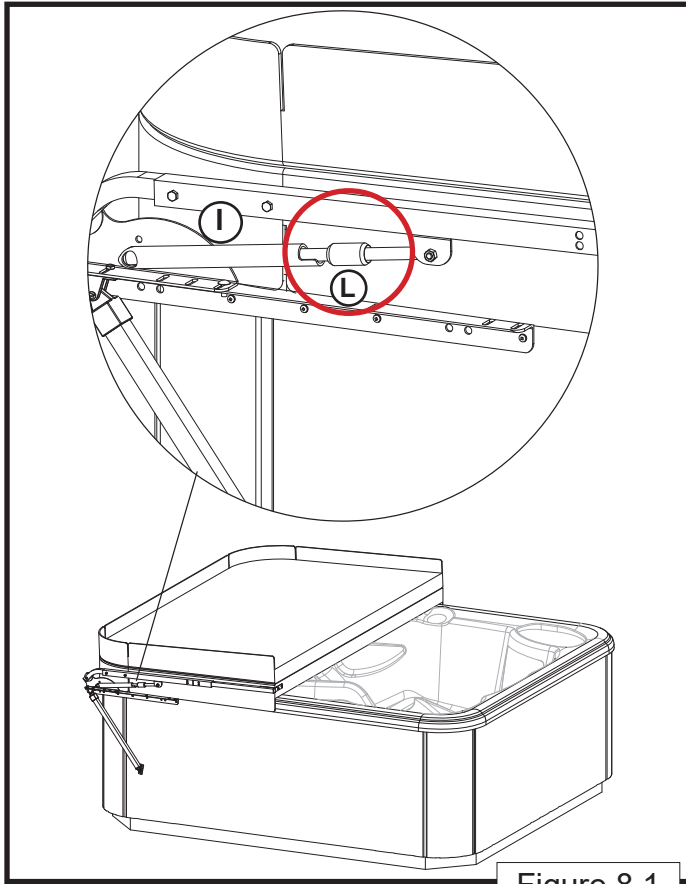


Figure 8.1

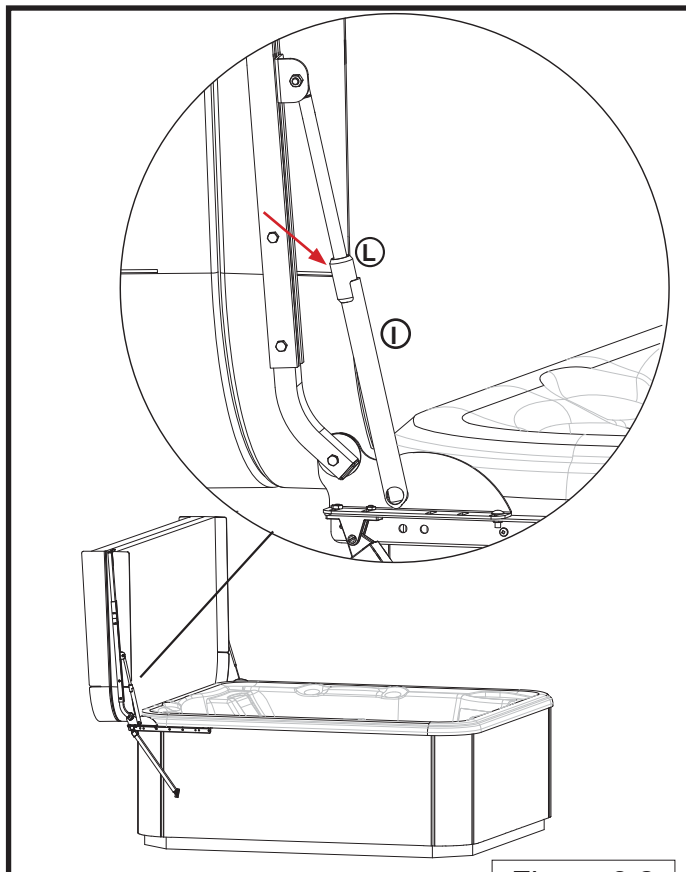


Figure 8.2

NOTE

Always “ease” the cover to the Open and Close Position to avoid “Slamming” thereby prolonging the service life of your cover.

Inspect your Gas Spring Lock. This device should pivot freely to its locking position, preventing the Gas Spring from compressing. If this does not occur, make sure the installation is correct. Review Gas Spring Installation steps.

PROLIFT IV COVER LIFTER INSTALLATION

STEP 8 COVER ANGLE ADJUSTMENT

If the cover angle is not at 90° angle at fully open position, the following steps can be used to adjust the angle.

WARNING!

DO NOT EXCEED 90° ANGLE

Steps 1a thru 3a must be done on both left and right side assembly.

NOTE Two technicians are recommended for the following procedure.

NOTE This procedure requires that the cover is held in full open position at all times.

- 1a. Find the two bolts that hold the Assy. Channel Ball Stud Bracket (C1) and loosen the two bolts located using a 7/16" wrench (Figure 9.1).

- 2a. When the bolts are loose, move the bracket down or up until a 90° angle is reached between fully open cover and spa bar top.
- 3a. Once Assy. Channel Ball Stud Bracket (C1) is set to desired position, tighten the two bolts (Figure 9.1).

If bolts on Assy. Channel Ball Stud Bracket are not accessible, use steps 1b thru 3b.

- 1b. While the cover is in full open position, use a small flat head screwdriver to slightly pry on the back of the gas spring end to release the gas spring from the Assy. Channel Ball Stud Bracket (C1) (Figure 9.2).
- 2b. Swing the gas spring (F) out of the way (Figure 9.2).
- 3b. Follow steps 1a thru 3a on this page to adjust the fully open position angle of your cover (Figure 9.1).

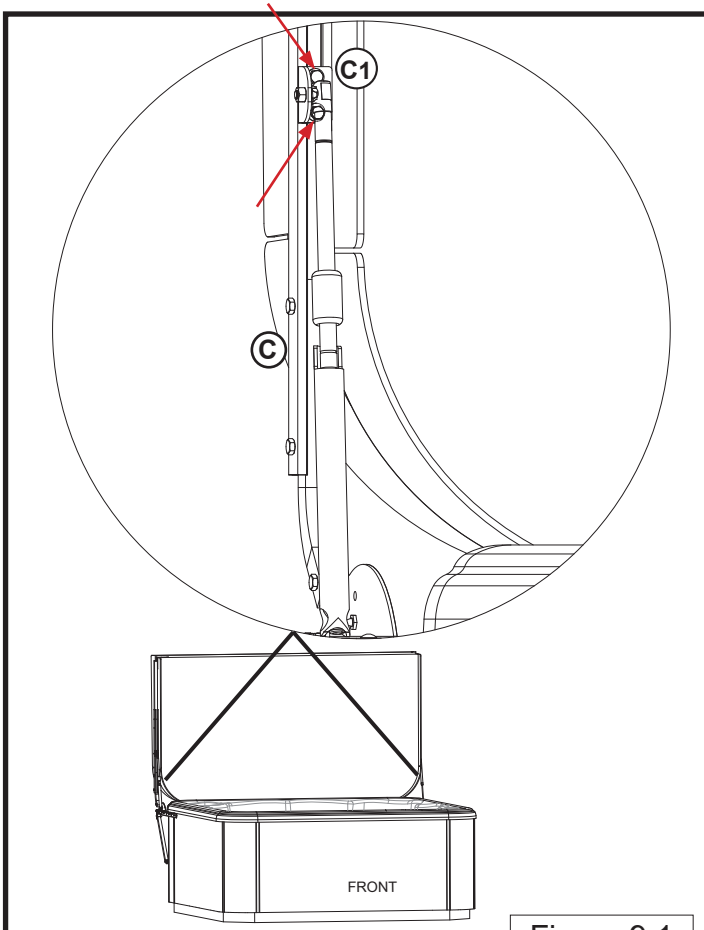


Figure 9.1

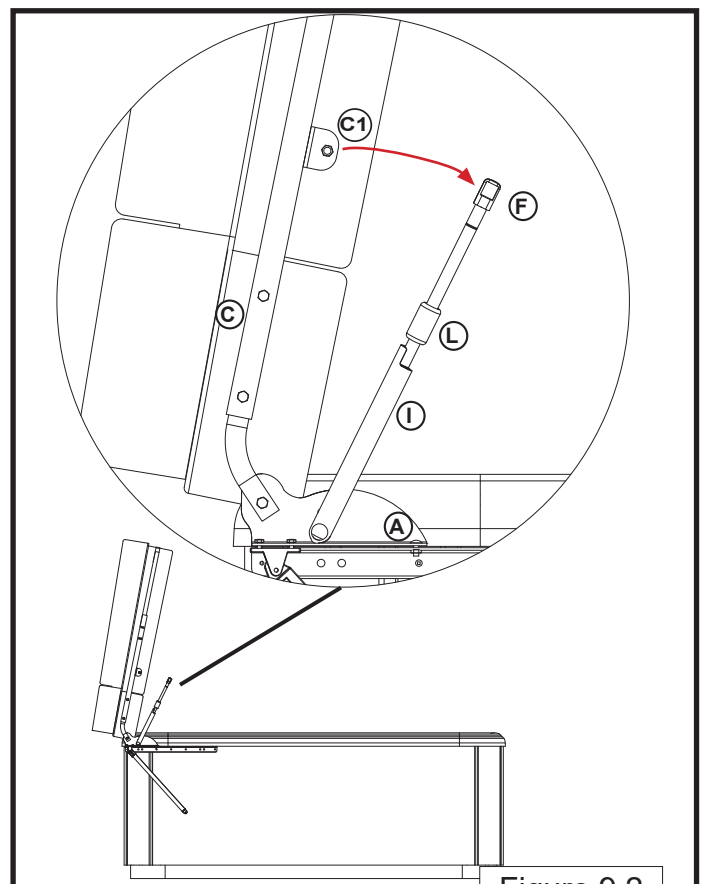


Figure 9.2

PROLIFT® IV Spacers

UTOPIA® SPAS ONLY (2016-CURRENT)

STEP #5 ATTACH SUPPORT TUBE TO SPA CABINET

To attach the Support Tube to the side of spa, swing the Support Tube forward until the distance from the bottom of the Auxiliary Bracket to the top of the Side Hinge is approximately 16" (Figure 1.1).

NOTE: The 16" location may place the Side Pivot Bracket on groove. If this condition exists, move the Support Tube slightly in either direction.

Mark the two holes on the side of the spa using the Side Hinge as a template. Drill Marked holes using a 7/64" bit with approximately 1/2" maximum depth (Figure 1.2).

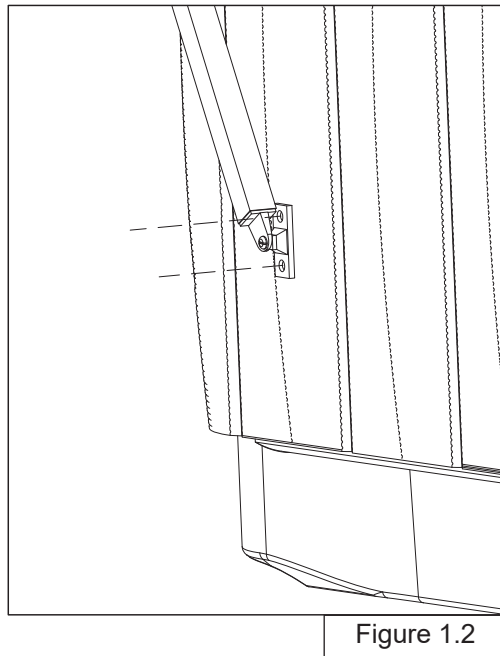


Figure 1.2

Making sure to align the holes on the Side Hinge to the holes on the spacers, secure the Side Hinge (B) and spacer to the spa cabinet using (2) of the Flat Head Screws (U) (Figure 1.3). Bag # 2 (#10 2" Flat Head screws).

Repeat steps on opposite side of spa.

When finished with these steps, return to page 10 step to continue procedure.

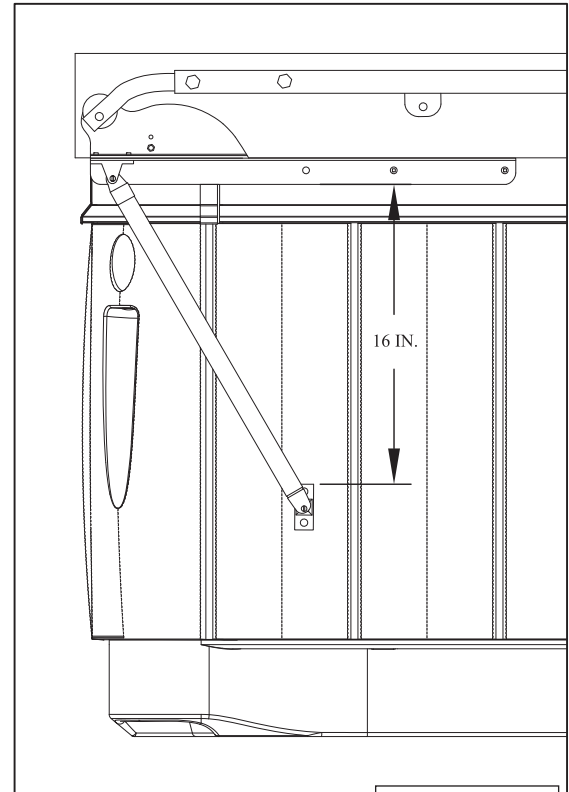


Figure 1.1

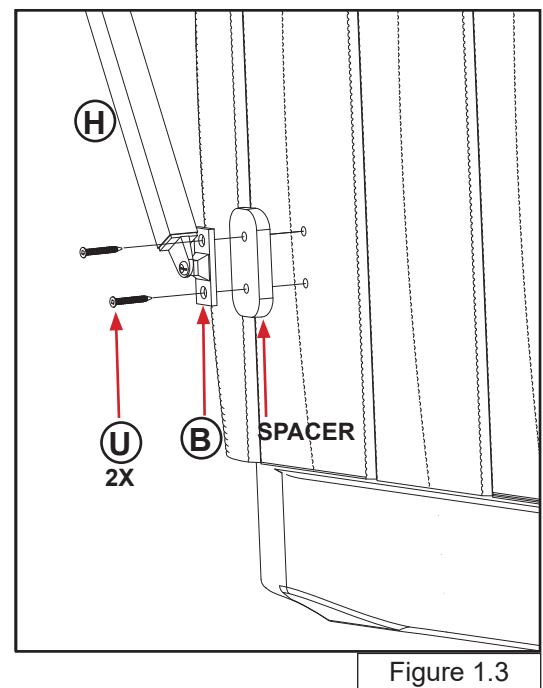


Figure 1.3



Watkins Wellness®

Feel good. Live well.™